

Q1. Compare the advantages and disadvantages of optic fibre and copper wire for transmitting information.

.....
.....
.....
.....
.....
.....
.....
.....
.....
.....
.....

(Total 6 marks)

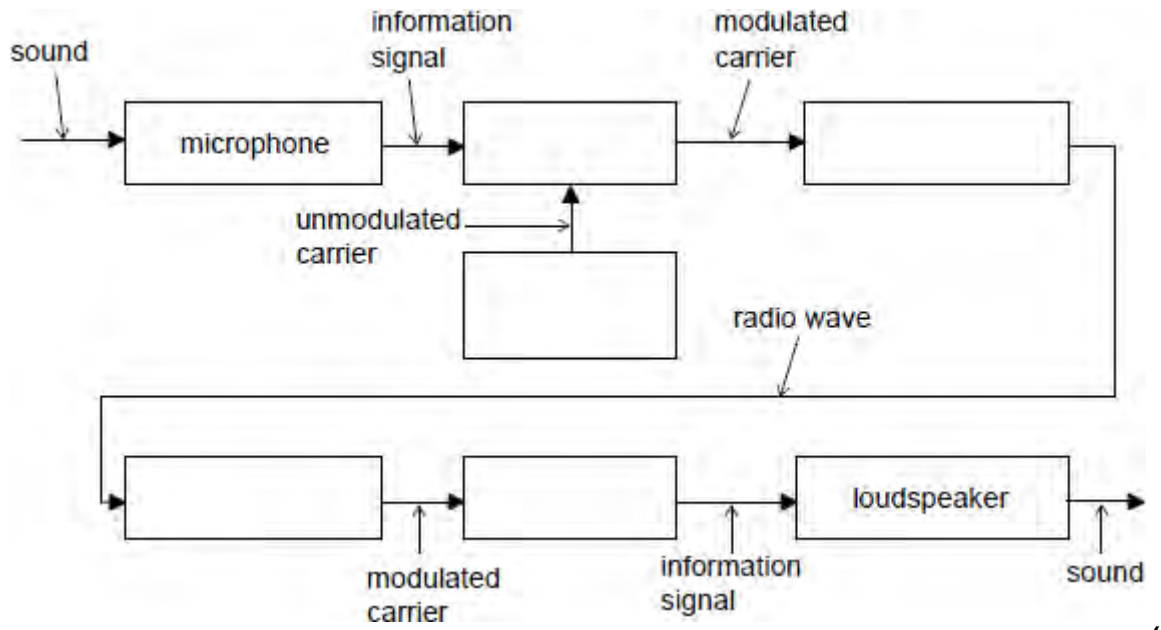
Q2.(a) Name **three** different types of medium that a modulated carrier signal could travel through.

1
2
3

(3)

(b) A block diagram of a radio communication system is shown below. The signals between subsystems are shown.

Label the blank boxes.



(5)
(Total 8 marks)