

1 A scuba diver is on a sandy beach.

She checks her compressed air cylinders before a dive.

She has two identical steel cylinders, A and B.

Each cylinder contains the same amount of compressed air.

Figure 25 shows the diver's cylinders.

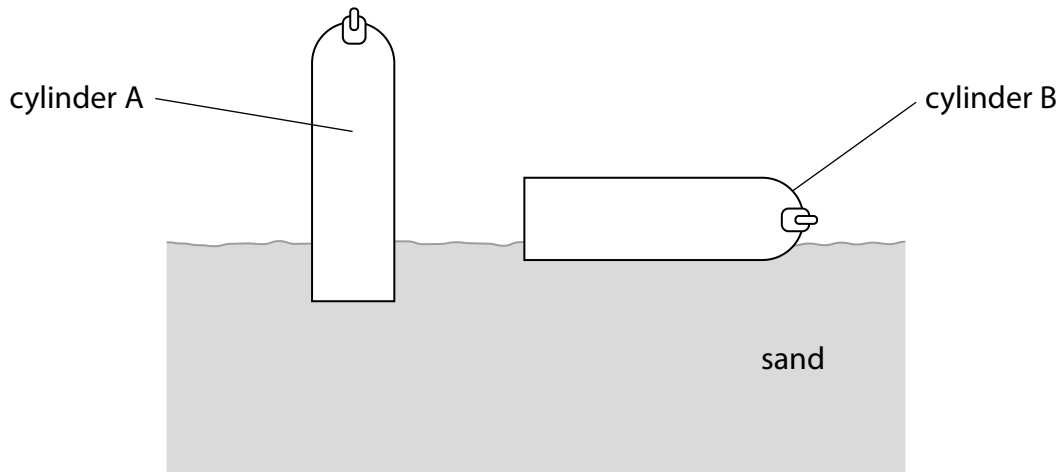


Figure 25

(a) Explain why cylinder A sinks further into the sand than cylinder B.

Use ideas about pressure, force and area in your answer.

(4)

.....

.....

.....

.....

.....

.....

.....

.....

.....

(b) When underwater, the diver tries to move a large stone block.

The diver uses a long iron bar and a pivot, as shown in Figure 26.

When pushing down with a force of 120 N, the block is balanced.

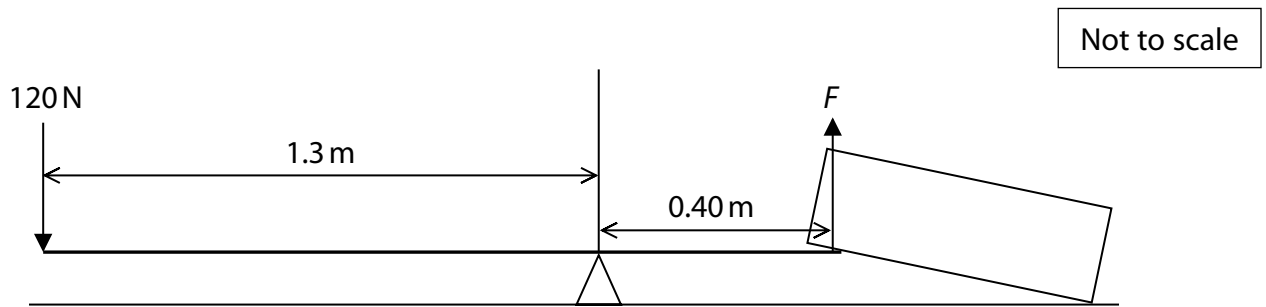


Figure 26

Calculate the size of the force, F , of the bar on the block.

(3)

force = N

