



Please write clearly in block capitals.

Centre number

--	--	--	--	--

Candidate number

--	--	--	--

Surname

Forename(s)

Candidate signature

I declare this is my own work.

GCSE COMBINED SCIENCE: TRILOGY

H

Higher Tier
Physics Paper 1H

Wednesday 20 May 2020 Afternoon Time allowed: 1 hour 15 minutes

Materials

For this paper you must have:

- a ruler
- a scientific calculator
- the Physics Equations Sheet (enclosed).

Instructions

- Use black ink or black ball-point pen.
- Pencil should only be used for drawing.
- Fill in the boxes at the top of this page.
- Answer **all** questions in the spaces provided.
- If you need extra space for your answer(s), use the lined pages at the end of this book. Write the question number against your answer(s).
- Do all rough work in this book. Cross through any work you do not want to be marked.
- In all calculations, show clearly how you work out your answer.

Information

- The maximum mark for this paper is 70.
- The marks for questions are shown in brackets.
- You are expected to use a calculator where appropriate.
- You are reminded of the need for good English and clear presentation in your answers.

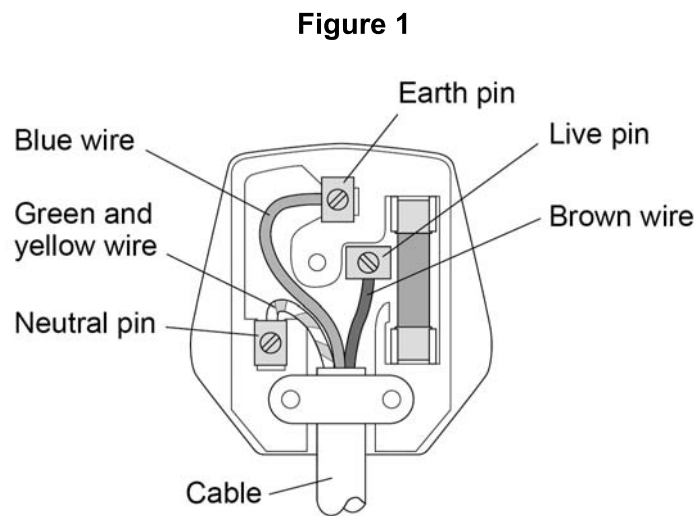
For Examiner's Use	
Question	Mark
1	
2	
3	
4	
5	
6	
7	
TOTAL	



J U N 2 0 8 4 6 4 P 1 H 0 1

0 1

Figure 1 shows the inside of a plug.



0 1 . 1

The plug is **not** wired correctly.

What should be done to connect the wires in the plug correctly?

[1 mark]



The correctly wired plug and cable connects a washing machine to the mains electricity supply.

- 0 1 . 2 Give the potential difference and frequency of the mains electricity supply in the UK. **[2 marks]**

The potential difference is _____ V

The frequency is _____ Hz

- 0 1 . 3 The washing machine is switched on.

What is the potential difference between the neutral wire and the earth wire?

[1 mark]

Potential difference = _____ V

- 0 1 . 4 The plug has a fuse.

Draw the circuit symbol for a fuse in the space below.

[1 mark]

Question 1 continues on the next page

Turn over ►



The washing machine has a metal case.

A fault causes the live wire to make an electrical connection with the metal case of the washing machine.

0 1 . 5 The earth wire is **not** connected to the metal case of the washing machine.

Explain why it would not be safe for a person to touch the metal case.

[2 marks]

0 1 . 6 The earth wire is now connected to the metal case of the washing machine.

Explain why it would now be safe for a person to touch the metal case, even if the live wire touches the metal case.

[2 marks]

9



0 2

Different radioactive isotopes emit different types of nuclear radiation.

A polonium-210 (Po) nucleus emits an alpha particle (α) and turns into a lead (Pb) nucleus.

This can be represented by the equation:



0 2 . 1

What is the value of A in the equation?

[1 mark]

Tick (✓) **one** box.

A = 206 A = 208 A = 210 A = 211

0 2 . 2

What is the value of Z in the equation?

[1 mark]

Tick (✓) **one** box.

Z = 80 Z = 82 Z = 85 Z = 86

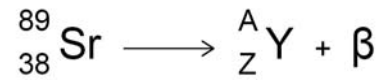
Question 2 continues on the next page

Turn over ►



0 2 . 3 A strontium-89 nucleus (Sr) emits a beta particle (β) and turns into an yttrium nucleus (Y).

This can be represented by the equation:



What are the values of A and Z in the equation?

[2 marks]

A = _____

Z = _____

0 2 . 4 Gamma radiation is another type of nuclear radiation.

What does gamma radiation consist of?

[1 mark]

Tick (\checkmark) **one** box.

High energy neutrons

Electromagnetic waves

Particles with no charge

Positively charged ions



There are no questions printed on this page

*Do not write
outside the
box*

**DO NOT WRITE ON THIS PAGE
ANSWER IN THE SPACES PROVIDED**



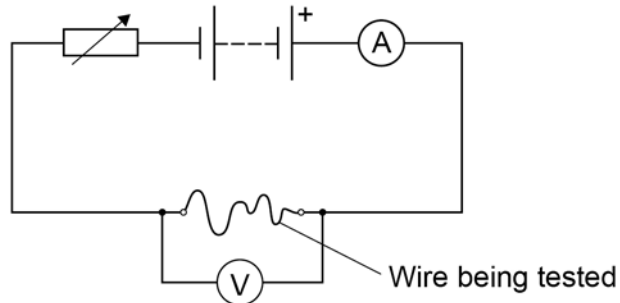
0 3

A student investigated how the resistance of a piece of wire varies with its length.

0 3 . 1

Figure 2 shows the circuit used.

Figure 2



Explain why the student needed to adjust the variable resistor each time she changed the length of the wire.

[3 marks]

Question 3 continues on the next page

Turn over ►



03.2

The student recorded three measurements of the potential difference across a 0.10 m length of wire.

Table 1 shows the results.

Table 1

Length in m	Potential difference in V			
	1	2	3	Mean
0.10	X	0.18	0.15	0.17

Calculate **X** in **Table 1**.

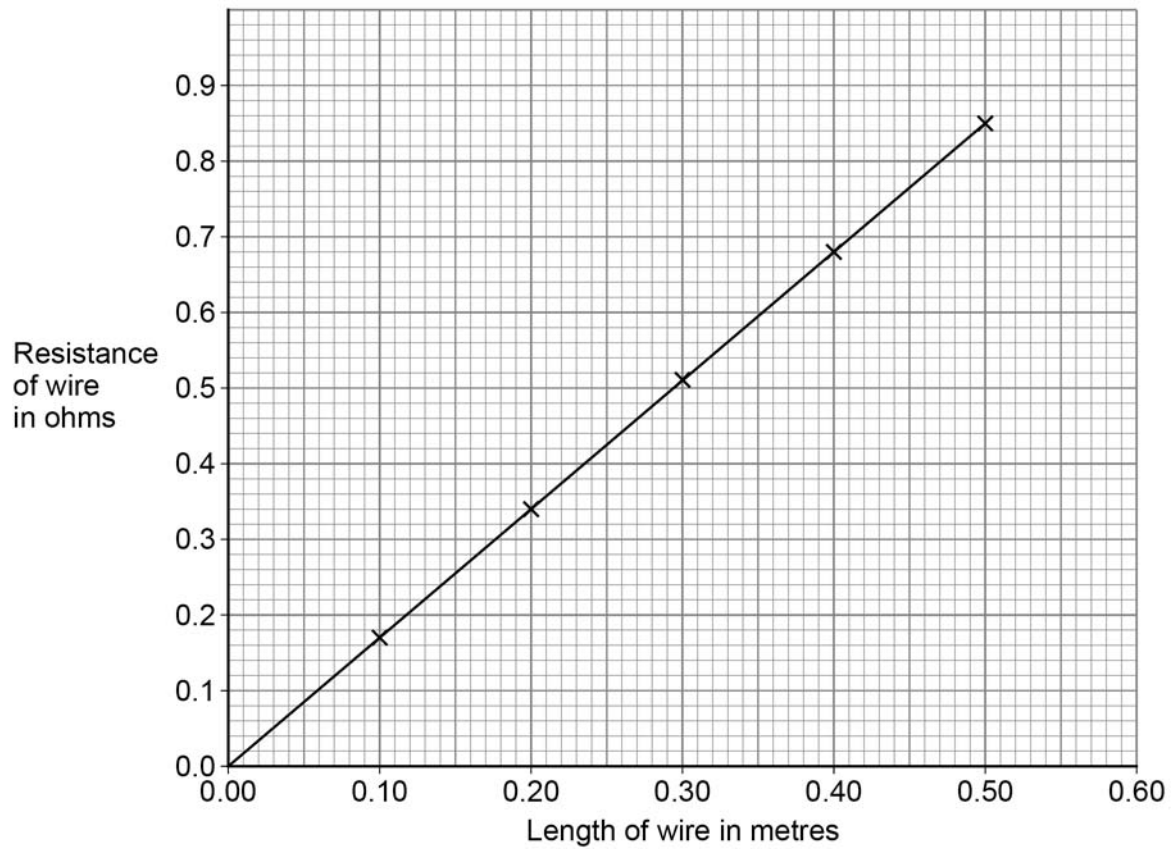
[2 marks]

$$X = \underline{\hspace{2cm}} \text{ V}$$



0 3 . 3 Figure 3 shows the results for five different lengths of the wire.

Figure 3



Describe the relationship between the length of the wire and the resistance of the wire.

[2 marks]

Question 3 continues on the next page

Turn over ►

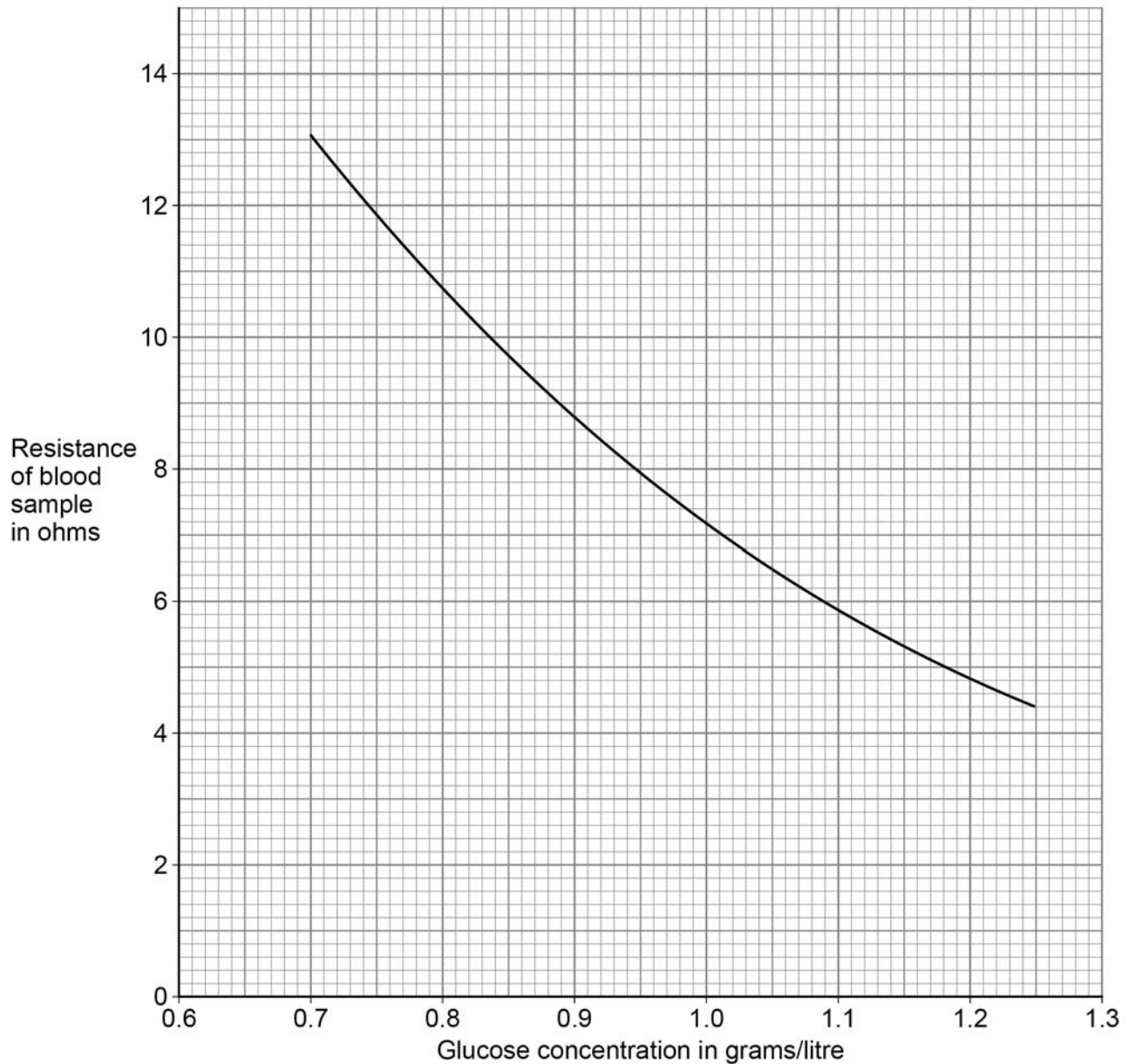


A glucometer uses the resistance of a blood sample to calculate the glucose concentration in a person's blood.

A blood sample is put into a small tube, which is put inside the glucometer. The blood then acts like a resistance wire.

Figure 4 shows the relationship between the resistance of a blood sample and the glucose concentration.

Figure 4



0 3 . 4

The glucometer applies a potential difference of 0.90 volts across a blood sample.

The glucose concentration of the blood sample is 0.98 grams/litre.

Determine the current in the blood sample.

[4 marks]

Current = _____ A

0 3 . 5

A new tube is used each time a blood sample is tested.

Explain why valid results are only obtained if each tube is identical.

[2 marks]

13

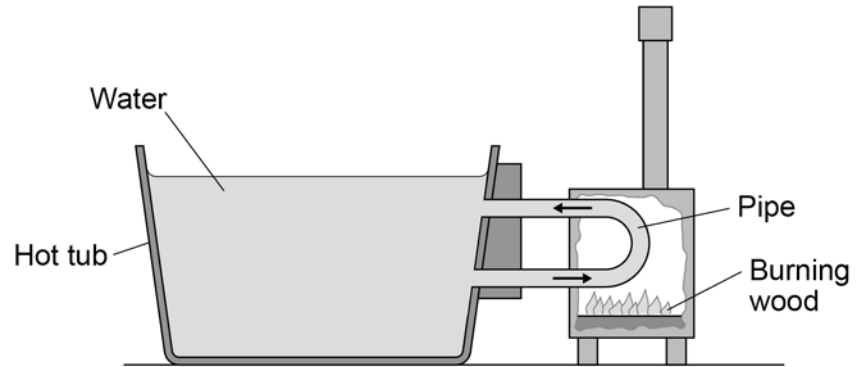
Turn over for the next question

Turn over ►

0 4

Figure 5 shows a wood-fired hot tub.

Figure 5



0 4 . 1

What type of fuel is wood?

[1 mark]

Tick (✓) **one** box.

A non-renewable biofuel

A non-renewable fossil fuel

A renewable biofuel

A renewable fossil fuel

0 4 . 2

Give **two** environmental effects of using wood as an energy resource.

[2 marks]

1 _____

2 _____



0 4 . 3

Describe the change to the stores of energy of the wood, pipe and water as the water is heated.

[3 marks]

Wood _____

Pipe _____

Water _____

0 4 . 4

The temperature of the water reaches 42 °C

The temperature then stays constant even though the fire continues to burn.

Explain why the temperature of the water stays constant.

[2 marks]

8

Turn over for the next question

Turn over ►



0 5

Ice cream is made by cooling a mixture of liquid ingredients until they freeze.

0 5 . 1

Which statement describes the motion of the particles in solid ice cream?

[1 mark]Tick (✓) **one** box.

They are stationary.

They move freely.

They vibrate about fixed positions.

0 5 . 2

How do the kinetic energy and the potential energy of the particles change as a liquid is cooled and frozen?

[1 mark]Tick (✓) **one** box.

Kinetic energy	Potential energy	
Decreases	Decreases	<input type="checkbox"/>
Decreases	Does not change	<input type="checkbox"/>
Does not change	Decreases	<input type="checkbox"/>
Does not change	Does not change	<input type="checkbox"/>



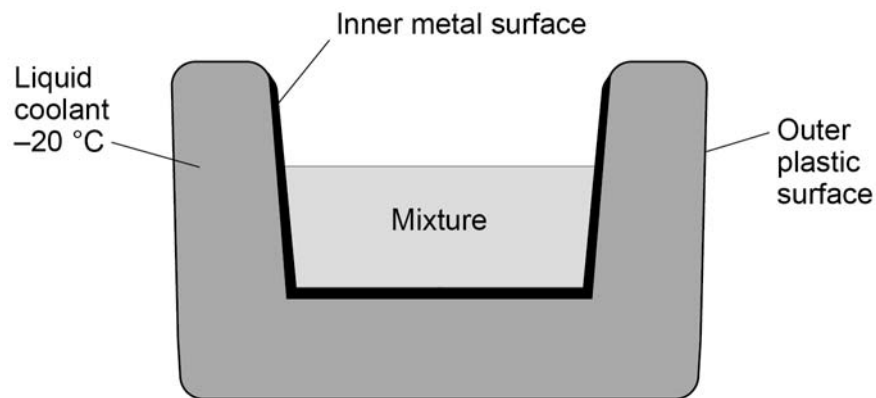
Figure 6 shows a bowl used for making ice cream.

The walls of the bowl contain a liquid coolant.

The bowl is cooled to $-20\text{ }^{\circ}\text{C}$ before the mixture is put in the bowl.

The bowl causes the mixture to cool down and freeze.

Figure 6



0 5 . 3

Explain why the different thermal conductivities of metal and plastic are important in the design of the bowl.

[4 marks]

Metal _____

Plastic _____

Question 5 continues on the next page

Turn over ►



0 5 . 4

The liquid coolant has a freezing point below $-20\text{ }^{\circ}\text{C}$ Explain **one** other property that the liquid coolant should have.**[2 marks]**



0 6

A student modelled radioactive decay by rolling some dice in a tray.

Dice that landed on the number six were removed from the tray.

The removed dice represent nuclei that have decayed.

0 6 . 1

Why is rolling dice a suitable model for radioactive decay?

[1 mark]

0 6 . 2

The student rolled 144 dice and removed all those that landed on the number six.

The student rolled the remaining dice and again removed all those that landed on the number six.

When the student had rolled the dice 20 times there were 9 dice left.

Calculate the most likely number of times that the student had rolled the dice before the number of dice had halved.

You should show how you work out your answer.

[3 marks]

Answer = _____ rolls of the dice



06.3

The number of times the dice have to be rolled to halve the original number of dice in the tray represents the half-life.

Figure 7 shows an eight-sided dice and a six-sided dice.

Figure 7



The student now used eight-sided dice to model radioactive decay. Dice that landed on the number six were again removed from the tray.

The half-life represented by rolling eight-sided dice is likely to be different from the half-life represented by rolling six-sided dice.

Explain how.

[2 marks]

06.4

A teacher has two radioactive sources, **A** and **B**.

Source **A** has a longer half-life than source **B**.

What can be deduced about the nuclei in source **A** compared with the nuclei in source **B**?

Do **not** refer to isotopes in your answer.

[1 mark]

7

Turn over ►



0 7

Kangaroos are large animals that travel by jumping.

Figure 8 shows a kangaroo.

Figure 8



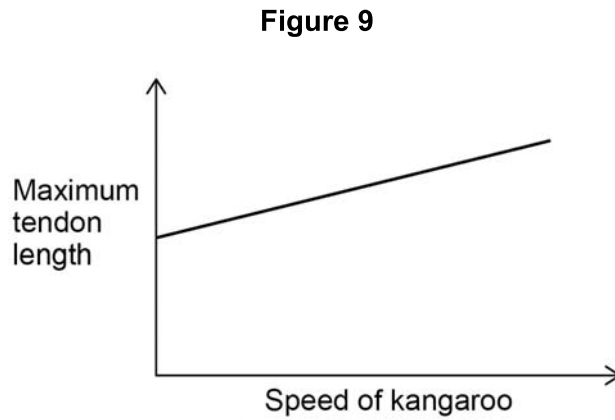
Each leg of a kangaroo has a tendon connected to a muscle. Each tendon can be modelled as a spring.

When a jumping kangaroo lands on the ground, the tendons stretch.



0 7 . 1

Figure 9 shows a sketch graph of how the maximum tendon length during a jump changes with the speed of the kangaroo.



Explain why a kangaroo can jump higher as its speed increases.

[3 marks]

Question 7 continues on the next page

Turn over ►



There are no questions printed on this page

*Do not write
outside the
box*

**DO NOT WRITE ON THIS PAGE
ANSWER IN THE SPACES PROVIDED**



