

Please write clearly in block capitals.

Centre number

--	--	--	--	--

Candidate number

--	--	--	--

Surname _____

Forename(s) _____

Candidate signature _____

I declare this is my own work.

AS PHYSICS

Paper 1

Time allowed: 1 hour 30 minutes

Materials

For this paper you must have:

- a pencil and a ruler
- a scientific calculator
- a Data and Formulae Booklet
- a protractor.

Instructions

- Use **black ink** or **black ball-point pen**.
- **Fill in** the boxes at the top of this page.
- Answer **all** questions.
- You must answer the questions in the spaces provided. Do not write outside the box around each page or on blank pages.
- If you need extra space for your answer(s), use the lined pages at the end of this book. Write the question number against your answer(s).
- Do **all** rough work in this book. Cross through any work you do not want to be marked.
- Show **all** your working.

Information

- The marks for questions are shown in brackets.
- The maximum mark for this paper is 70.
- You are expected to use a scientific calculator where appropriate.
- A Data and Formulae Booklet is provided as a loose insert.

For Examiner's Use	
Question	Mark
1	
2	
3	
4	
5	
6	
7	
TOTAL	



Answer **all** questions in the spaces provided.

0 1 . 1 Identify the number of neutrons in a nucleus of polonium-210 (${}^{210}_{84}\text{Po}$).

Tick (✓) **one** box.

[1 mark]

84

126

210

294

0 1 . 2 A polonium-210 nucleus is formed when a stationary nucleus of bismuth-210 decays. A beta-minus (β^-) particle is emitted in this decay.

Outline, with reference to β^- decay, why bismuth-210 and polonium-210 have different proton numbers.

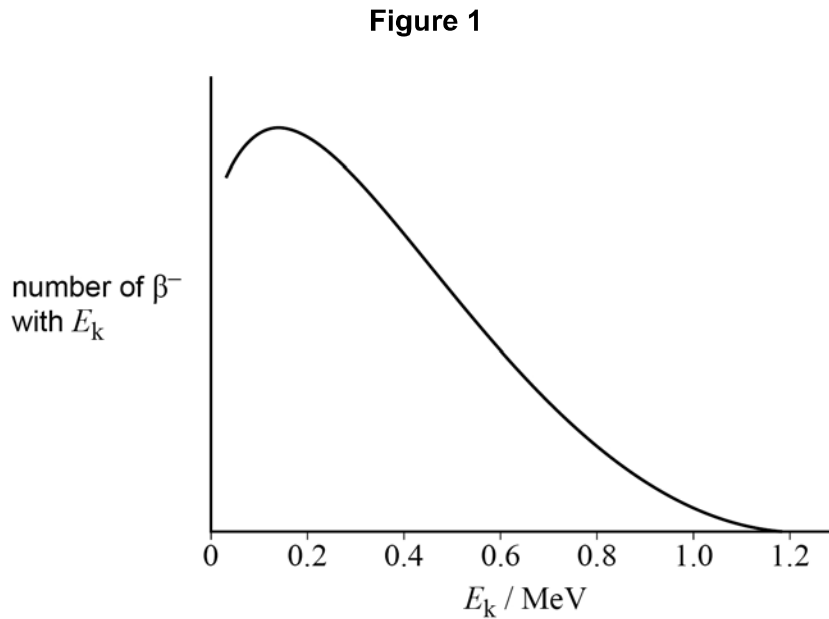
[2 marks]



The kinetic energies of β^- particles emitted from a sample of bismuth-210 are analysed. These β^- particles have a range of kinetic energies.

The total energy released when each nucleus of bismuth-210 decays to a nucleus of polonium-210 is 1.2 MeV.

Figure 1 shows the variation with E_k of the number of β^- particles that have the kinetic energy E_k .



0 1 . 3

Explain how the data in **Figure 1** support the hypothesis that a third particle is produced during β^- decay.

[2 marks]

Question 1 continues on the next page

Turn over ►



0 1 . 4 This third particle is an electron antineutrino.

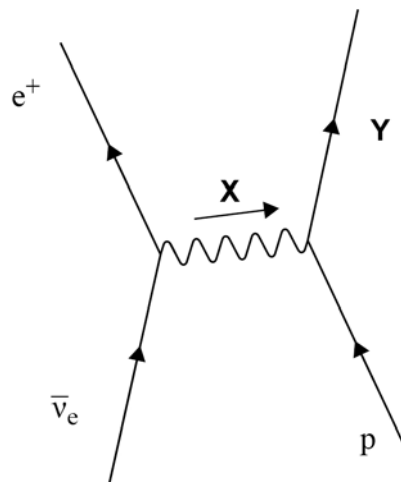
Explain why an electron antineutrino, rather than an electron neutrino, is produced during β^- decay.

[2 marks]

0 1 . 5 A large tank of water is used as part of an electron antineutrino detector. An electron antineutrino $\bar{\nu}_e$ enters the tank and interacts with a proton (p).

Figure 2 represents this interaction.

Figure 2



Identify X and Y.

[2 marks]

X = _____

Y = _____



0 1 . 6

The positron produced in the interaction in **Figure 2** slows down and collides with a lepton in a molecule of water.

Describe the process that occurs when the positron collides with this lepton.
In your answer you should identify the lepton in the molecule of water.

[3 marks]

0 1 . 7

The range of the electromagnetic interaction is infinite.

Table 1 gives the range of the strong nuclear interaction and the range of the weak nuclear interaction.

Table 1

Interaction	Range / m
strong nuclear	10^{-15}
weak nuclear	10^{-18}

Deduce whether the positron or the electron antineutrino is likely to travel the shorter distance in the tank of water before interacting.

[3 marks]

15

Turn over ►



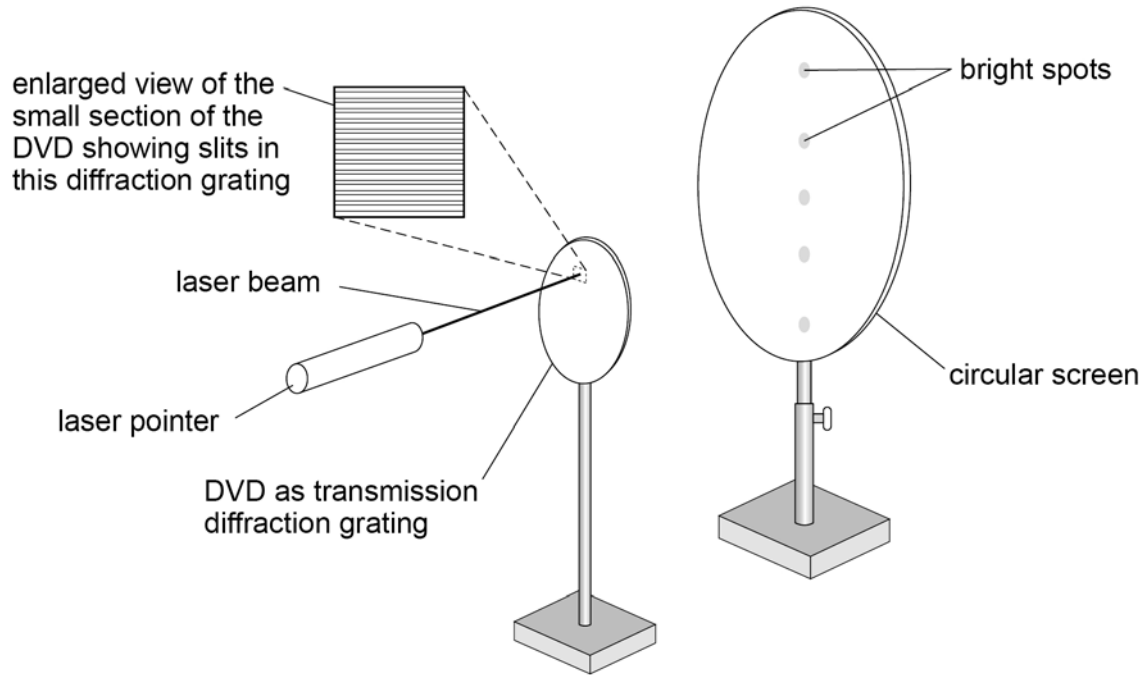
0 2

A student removes the reflective layer from a DVD. She uses the DVD as a transmission diffraction grating.

Figure 3 shows light from a laser pointer incident normally on a small section of this diffraction grating. The grooves on this section act as adjacent slits of the transmission diffraction grating.

A vertical pattern of bright spots (maxima) is observed on a circular screen behind the disc.

Figure 3



0 2 . 1

Light of wavelength λ travels from each illuminated slit, producing maxima on the screen.

State the path difference between light from adjacent slits when this light produces a first-order maximum on the screen.

[1 mark]



0	2	.	2
---	---	---	---

Explain how light from the diffraction grating forms a maximum on the screen.

[3 marks]

Question 2 continues on the next page

Turn over ►



The student has three discs: a Blu-ray disc, a DVD and a CD. She removes the reflective coating from the discs so that they act as transmission diffraction gratings. These diffraction gratings have different slit spacings.

The student also has two laser pointers **A** and **B** that emit different colours of visible light.

Table 2 and **Table 3** show information about the discs and the laser pointers.

Table 2

Disc	Slit spacing / μm
Blu-ray disc	0.32
DVD	0.74
CD	1.60

Table 3

Laser pointer	Wavelength of light emitted / 10^{-7} m
A	4.45
B	6.36

0 2 . 3

Deduce the combination of disc and laser pointer that will produce the **greatest** possible number of interference maxima.

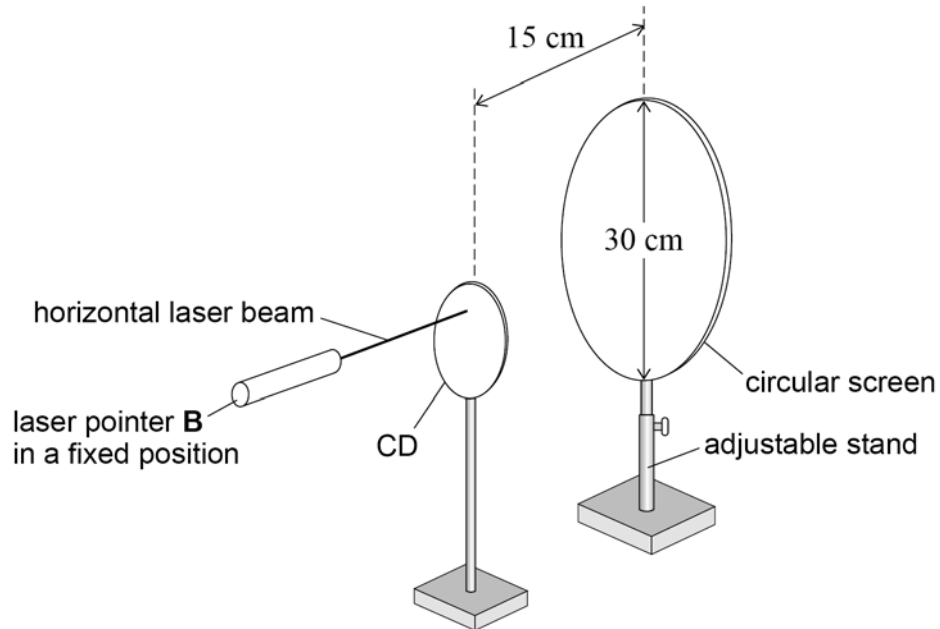
[2 marks]



0 2 . 4

The student uses the CD and laser pointer **B** as shown in **Figure 4**. A diffraction pattern is produced on the screen. Laser pointer **B** and the CD are in fixed positions. The laser beam is horizontal and incident normally on the CD. The height of the screen can be adjusted.

Figure 4



The screen has a diameter of 30 cm and is positioned behind the CD at a fixed horizontal distance of 15 cm.

The student plans to adjust the height of the screen until she observes the greatest number of spots.

The student predicts that, using this arrangement, the greatest number of spots on the screen will be 3.

Determine whether the student's prediction is correct.

[3 marks]

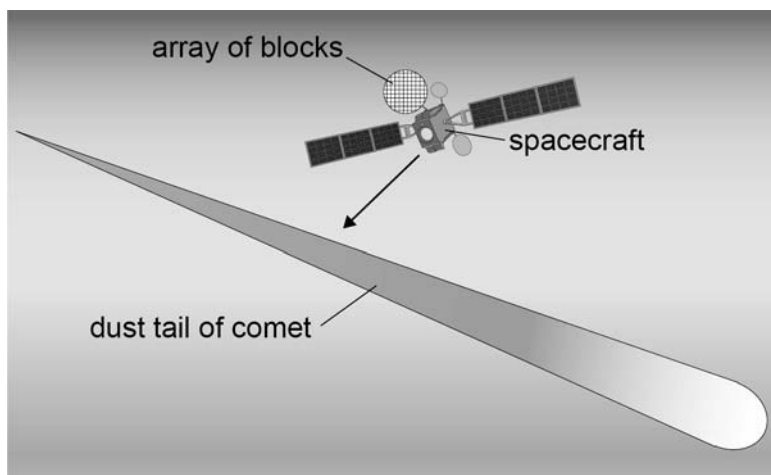
Turn over ►



0 3

Figure 5 shows a spacecraft travelling towards a comet. The spacecraft has an array of blocks designed to capture small dust particles from the comet's tail.

Figure 5



To test the blocks before launch, a spherical dust particle **P** is fired at a right angle to the surface of a fixed, stationary block.

P has a mass of 1.1×10^{-9} kg. It has a speed of 5.9×10^3 m s⁻¹ when it hits the surface of the block.

P comes to rest inside the block.

0 3 . 1

Calculate the work done in bringing **P** to rest.

[1 mark]

work done = _____ J

0 3 . 2

P travels a distance of 2.9 cm in a straight line inside the block before coming to rest. The resultant force on **P** varies as it penetrates the block.

Calculate the average force acting on **P** as it is brought to rest.

[2 marks]

average force = _____ N

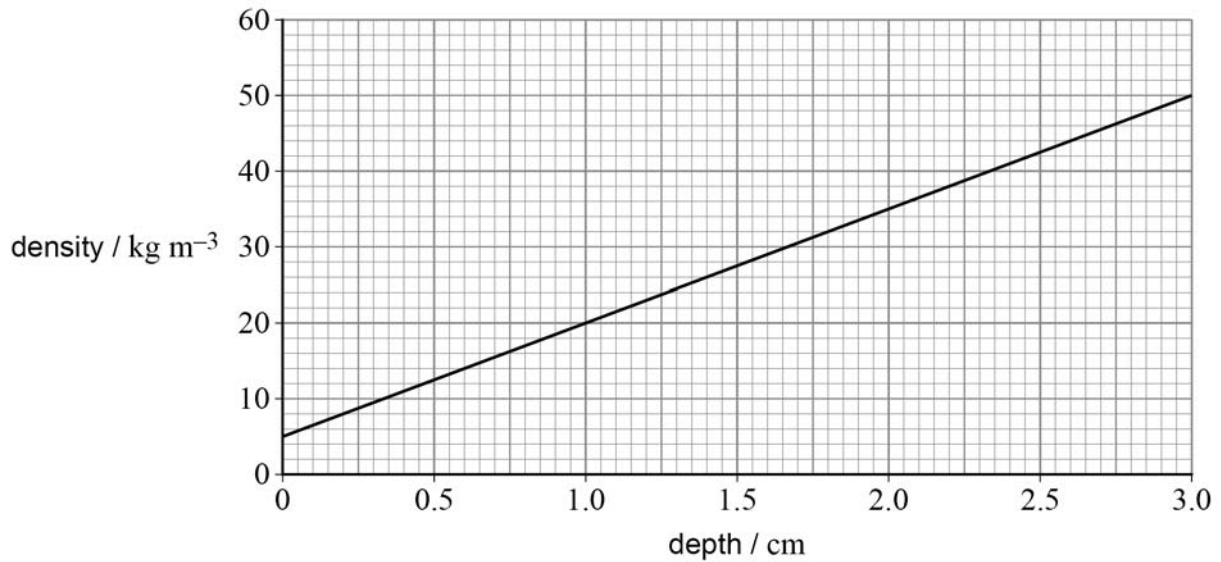


0 3 . 3

The block is rectangular with an area of cross-section of 8.0 cm^2 and a thickness of 3.0 cm .

Figure 6 shows how the density of the block varies with depth up to its maximum thickness.

Figure 6



Calculate the mass of the block.

[4 marks]

mass = _____ kg

Question 3 continues on the next page

Turn over ►



0 3 . 4

In another test, a spherical particle **Q** is fired at a right angle to the surface of an identical block.

Q has the same mass as **P** and is travelling at the same speed as **P** when it strikes the surface of the block.

Q is made from a less dense material than **P**.

Compare the distance travelled by **Q** with that travelled by **P** as they are brought to rest.

[3 marks]

10

Turn over for the next question

*Do not write
outside the
box*

**DO NOT WRITE ON THIS PAGE
ANSWER IN THE SPACES PROVIDED**

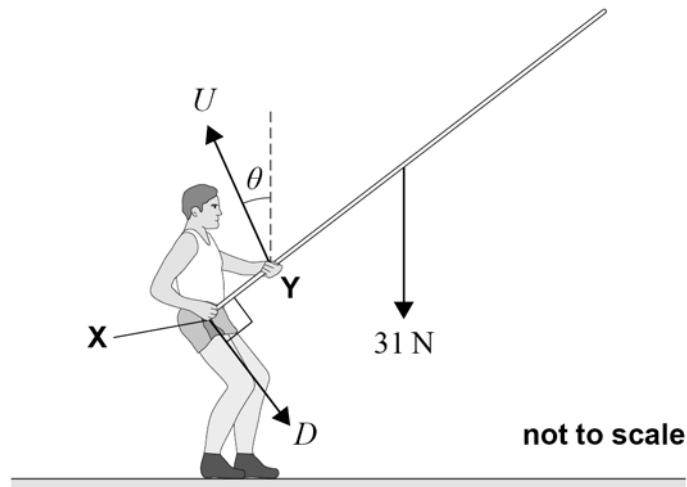
Turn over ►



0 4

Figure 7 shows an athlete holding a vaulting pole at an angle of 40° to the horizontal.

Figure 7



Forces D and U are exerted on the pole by the athlete's right and left hands respectively.

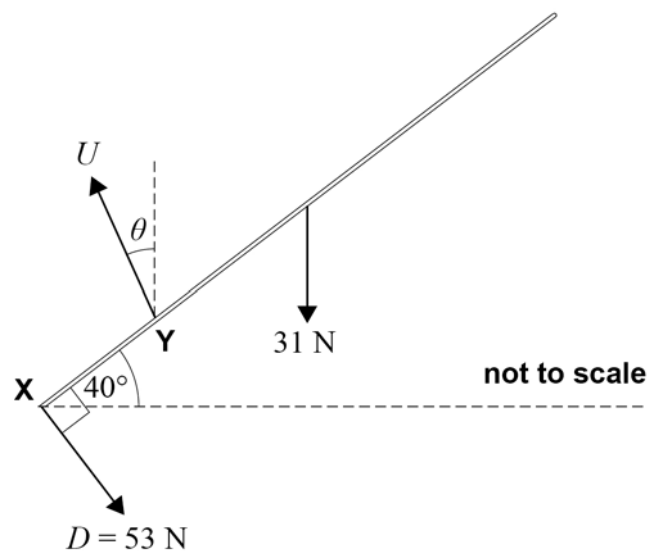
U is applied at point Y at an angle θ to the vertical.

The magnitude of D is 53 N and is applied at 90° to the pole at X .

The uniform pole is in equilibrium. It has a weight of 31 N.

Figure 8 shows the forces acting on the pole.

Figure 8

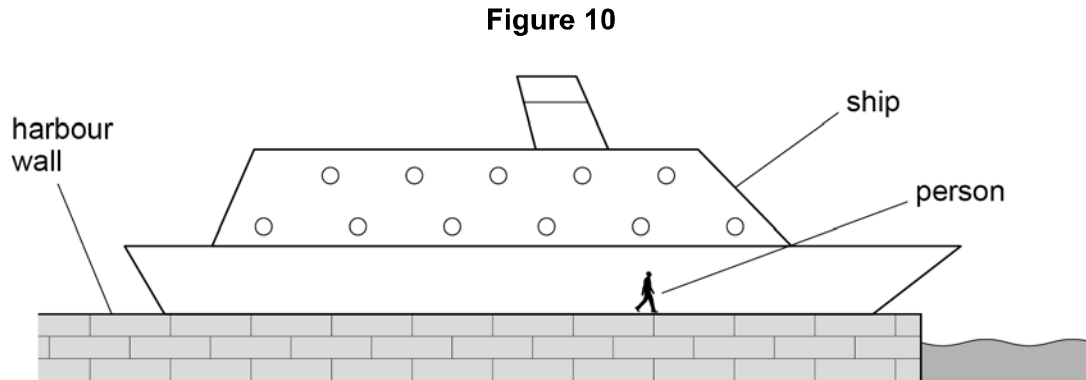


0 4 . 1

Determine, using a scale diagram, θ and the magnitude of U .**[4 marks]** $\theta =$ _____ $^{\circ}$ magnitude of $U =$ _____ N**Question 4 continues on the next page****Turn over ►**

0 5 . 1

Figure 10 shows a ship leaving a harbour at a constant velocity. The ship moves at the same velocity as a person walking on the harbour wall alongside the ship.



The momentum of the ship is approximately 1×10^7 N s.

Estimate the mass of the ship.

[2 marks]

mass of ship = _____ kg

Question 5 continues on the next page

Turn over ►



0 6

A battery has an emf of 5.30 V and negligible internal resistance.

0 6 . 1

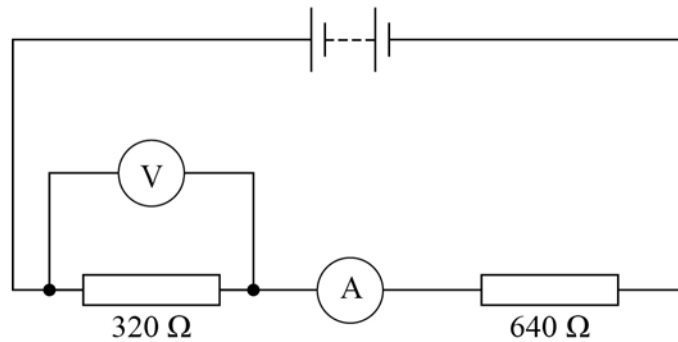
State what is meant by an emf of 5.30 V for this battery.

[2 marks]

0 6 . 2

Figure 13 shows the battery connected into a circuit.

Figure 13



The ammeter is ideal.

The voltmeter is non-ideal and has a resistance R .

The reading on the voltmeter is 1.05 V when it is connected across the 320 Ω resistor.

Show that the reading on the ammeter is approximately 7 mA.

[2 marks]



0 6 . 3 Show that the resistance R of the voltmeter is approximately 300Ω .

[3 marks]

0 6 . 4 The voltmeter is now connected across the battery terminals.

Calculate the power dissipated in the voltmeter.

[2 marks]

power = _____ W

Question 6 continues on the next page

Turn over ►



0	7
---	---

Optical fibres are used to carry pulses of light.

0	7	.	1
---	---	---	---

Explain what is meant by modal dispersion in an optical fibre.

[2 marks]

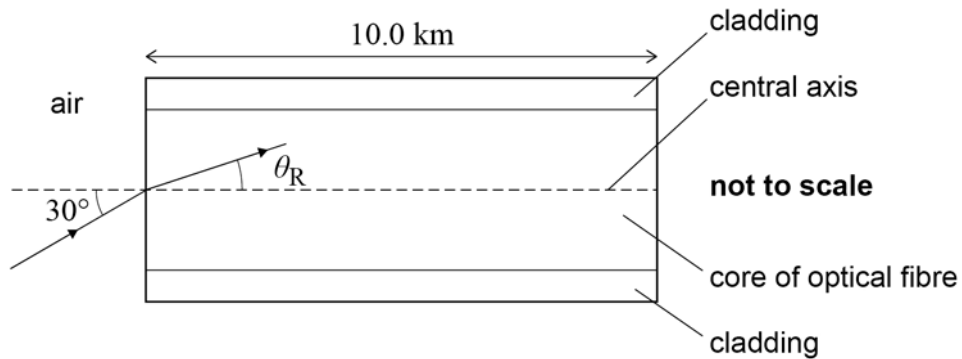
Question 7 continues on the next page

Turn over ►



Figure 15 shows a ray of light incident on the central axis of an optical fibre at an angle of incidence of 30° . The optical fibre is straight and horizontal and has a length of 10.0 km.

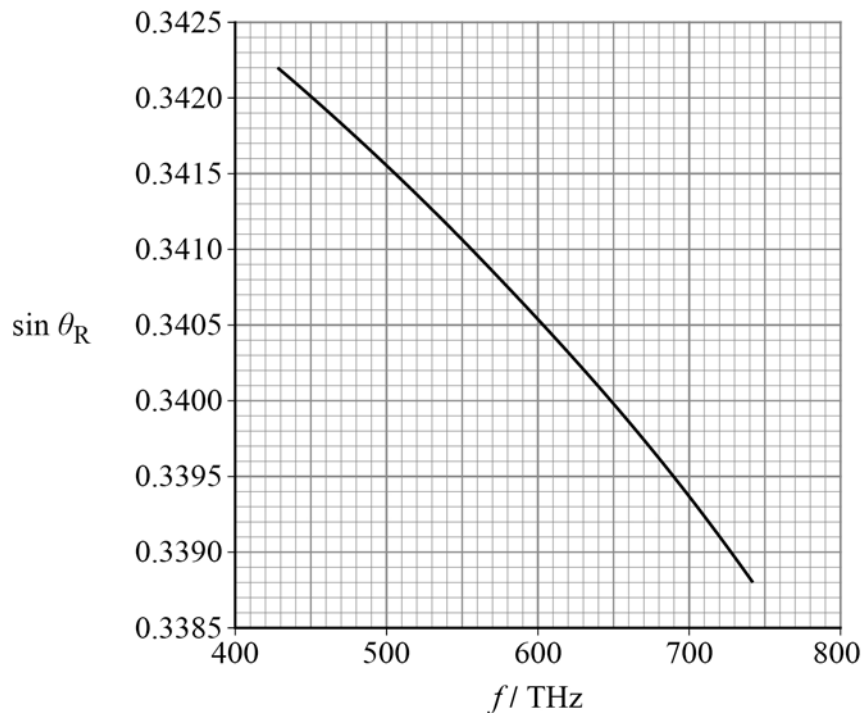
Figure 15



For light incident on the core at a given angle of incidence, the angle of refraction θ_R varies with the frequency f of the light.

Figure 16 shows how $\sin \theta_R$ varies with f when the angle of incidence is 30° .

Figure 16



The transit time is the time between a pulse of light entering and leaving the optical fibre.

A single pulse of blue light is incident on the air–core boundary at an angle of incidence of 30° .

The transit time of this pulse along the 10 km length of the optical fibre is 5.225×10^{-5} s.

0 7 . 2

Show that the horizontal component of the velocity of the pulse is approximately 1.9×10^8 m s⁻¹.

[1 mark]

0 7 . 3

The frequency of the blue light in the pulse is 720 THz.

Calculate the speed of the blue light in the core of the optical fibre.

[3 marks]

speed = _____ m s⁻¹

Question 7 continues on the next page

Turn over ►



07.4

Two pulses of monochromatic light are incident normally on the air–core boundary. They then travel along the central axis of the core. One pulse consists of blue light; the other consists of red light.

Explain, with reference to refractive index, why the pulse of red light has a shorter transit time than the pulse of blue light.

[2 marks]

07.5

Another two pulses, identical to the pulses in Question **07.4**, are incident on the central axis of the optical fibre and travel along its length. However, the pulse of red light and pulse of blue light are now incident on the air–core boundary at an angle of incidence of 30° .

Suggest **one** reason why the difference in their transit times may **not** be the same as in Question **07.4**.

[1 mark]

9**END OF QUESTIONS**

There are no questions printed on this page

*Do not write
outside the
box*

**DO NOT WRITE ON THIS PAGE
ANSWER IN THE SPACES PROVIDED**



There are no questions printed on this page

*Do not write
outside the
box*

**DO NOT WRITE ON THIS PAGE
ANSWER IN THE SPACES PROVIDED**

Copyright information

For confidentiality purposes, all acknowledgements of third-party copyright material are published in a separate booklet. This booklet is published after each live examination series and is available for free download from www.aqa.org.uk.

Permission to reproduce all copyright material has been applied for. In some cases, efforts to contact copyright-holders may have been unsuccessful and AQA will be happy to rectify any omissions of acknowledgements. If you have any queries please contact the Copyright Team.

Copyright © 2021 AQA and its licensors. All rights reserved.

