

Please write clearly in block capitals.

Centre number

--	--	--	--	--

Candidate number

--	--	--	--

Surname

Forename(s)

Candidate signature

AS PHYSICS

Paper 2

Friday 17 May 2019

Morning

Time allowed: 1 hour 30 minutes
You are advised to spend about
35 minutes on Section C

Materials

For this paper you must have:

- a pencil and a ruler
- a scientific calculator
- a Data and Formulae Booklet.

Instructions

- Use **black ink** or **black ball-point pen**.
- **Fill** in the boxes at the top of this page.
- Answer **all** questions.
- You must answer the questions in the spaces provided. Do not write outside the box around each page or on blank pages.
- Do **all** rough work in this book. Cross through any work you do not want to be marked.
- Show **all** your working.

Information

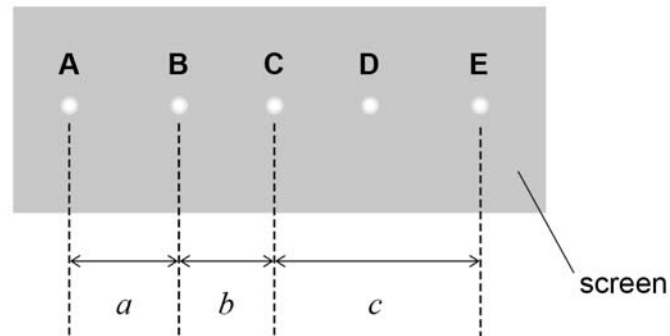
- The marks for questions are shown in brackets.
- The maximum mark for this paper is 70.
- You are expected to use a scientific calculator where appropriate.
- A Data and Formulae Booklet is provided as a loose insert.

For Examiner's Use	
Question	Mark
1	
2	
3	
4	
5–34	
TOTAL	



Section AAnswer **all** questions in this section.**0 1**

This question is about the measurement of the wavelength of laser light. The light is shone onto a diffraction grating at normal incidence. The light transmitted by the diffraction grating produces five spots on a screen. These spots are labelled **A** to **E** in **Figure 1**.

Figure 1

not to scale

A student uses a metre ruler with 1 mm divisions to take readings. He uses these readings to obtain measurements a , b and c , the distances between centres of the spots as shown in **Figure 1**.

Table 1 shows his measurements and his estimated uncertainties.

Table 1

Measurement	Distance / mm	Uncertainty / mm
a	289	2
b	255	2
c	544	2



0 1 . 1

Explain why the student's estimated uncertainty in measurement a is greater than the smallest division on the metre ruler.

You should refer to the readings taken by the student in obtaining this measurement.

[2 marks]

0 1 . 2

The distance between the centres of spots **A** and **C** and the distance between the centres of spots **C** and **E** are equal.

That is:

$$a + b = c$$

Calculate the percentage uncertainty in the sum of a and b .

[2 marks]

percentage uncertainty = _____

Question 1 continues on the next page

Turn over ►



0 1 . 3 Discuss why the experimental measurements lead to a different percentage uncertainty in c compared to that in $a + b$.

[2 marks]

0 1 . 4 Eye protection should be used to prevent eye damage when using a laser.

Describe **one** other safety measure to minimise the risk of eye damage when using a laser in the laboratory.

[1 mark]

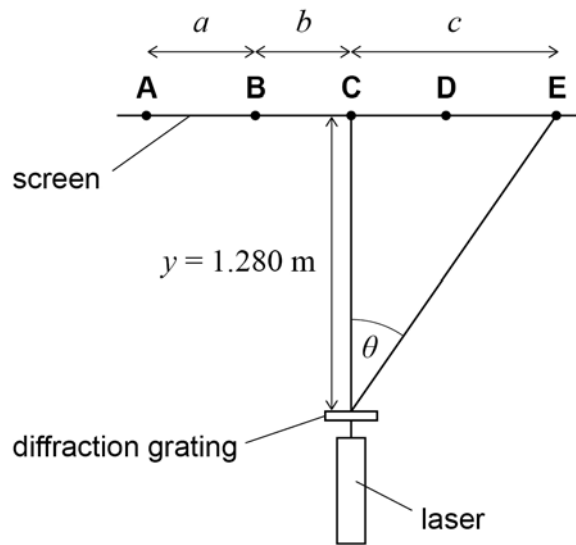
0 1 . 5 **Figure 2** shows the experimental arrangement with y , the perpendicular distance between the diffraction grating and the screen, equal to 1.280 m. **Table 2** shows some of the data from **Table 1**.

Table 2

Measurement	Distance / mm
a	289
b	255
c	544



Figure 2



Calculate the angle θ shown on Figure 2.

[1 mark]

$\theta =$ _____ degrees

0 1 . 6

Spot E is the second-order maximum.
The diffraction grating has 3.00×10^5 lines per metre.

Calculate the wavelength of the laser light.

[2 marks]

wavelength = _____ m

Question 1 continues on the next page

Turn over ►



0 1 . 7

The student plans to repeat the experiment using the same diffraction grating and laser.

State and explain **one** way the student can change the experimental arrangement to reduce the percentage uncertainty in the measurement of the wavelength.

Assume the percentage uncertainty in $\sin \theta$ is the sum of the percentage uncertainties in y and c .

[2 marks]

12



Turn over for the next question

*Do not write
outside the
box*

**DO NOT WRITE ON THIS PAGE
ANSWER IN THE SPACES PROVIDED**

Turn over ►



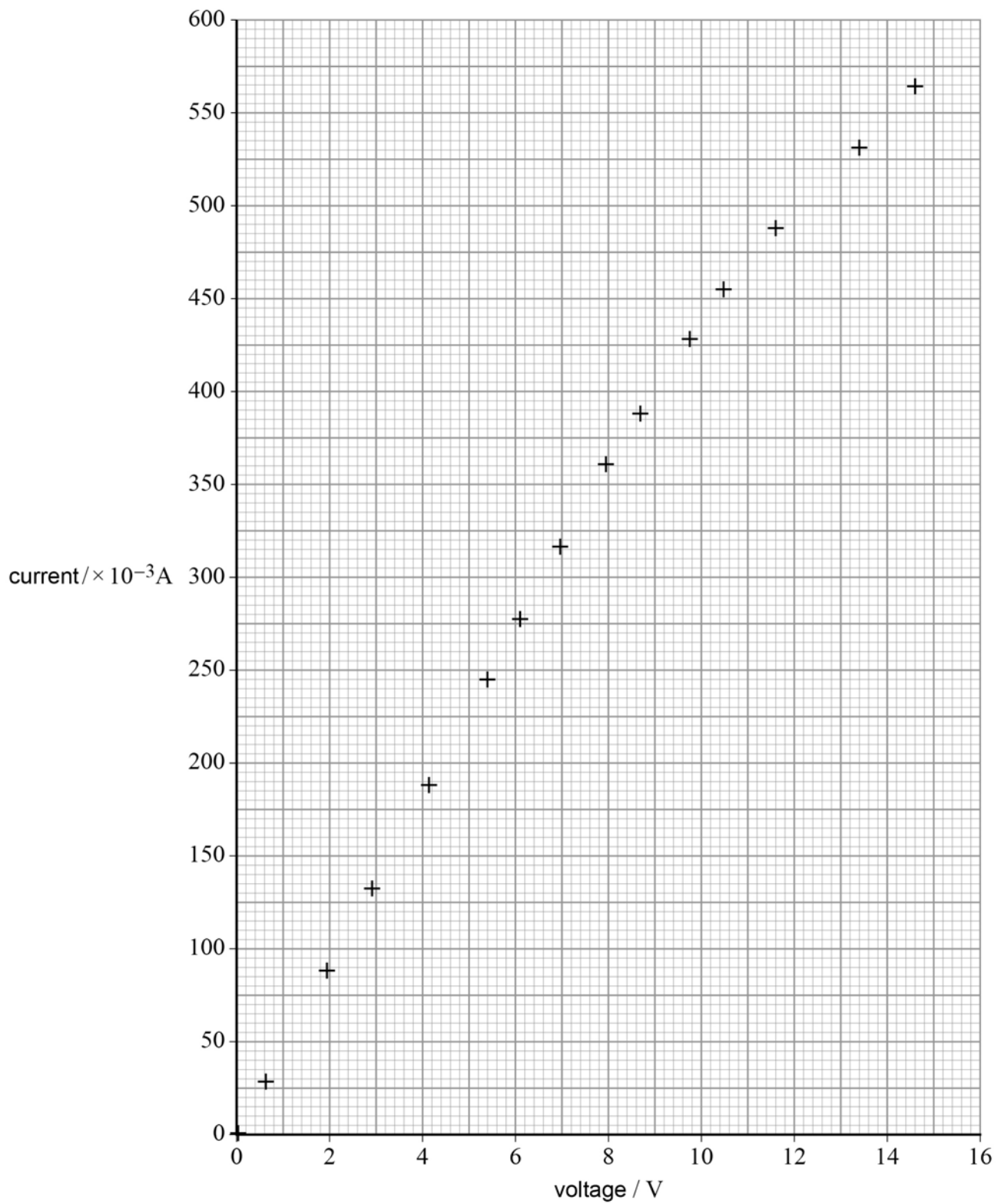
0 7

0 2

This question is about an experiment to obtain current–voltage data for a resistor **R**. **Figure 3** shows a plot of current–voltage data for **R**.

Do not write
outside the
box

Figure 3



0 2 . 1 Draw a best-fit line for the data on **Figure 3**. **[1 mark]**

0 2 . 2 Identify the data point with the greatest value of current and voltage at which **R** obeys Ohm's law.

Draw a circle around this data point on **Figure 3**. **[1 mark]**

0 2 . 3 When **R** obeys Ohm's law it has a resistance of 22.2Ω .

Determine the percentage increase in the resistance of **R** from its 22.2Ω value to its value when the current is $550 \times 10^{-3} \text{ A}$.

[2 marks]

percentage increase = _____

Question 2 continues on the next page

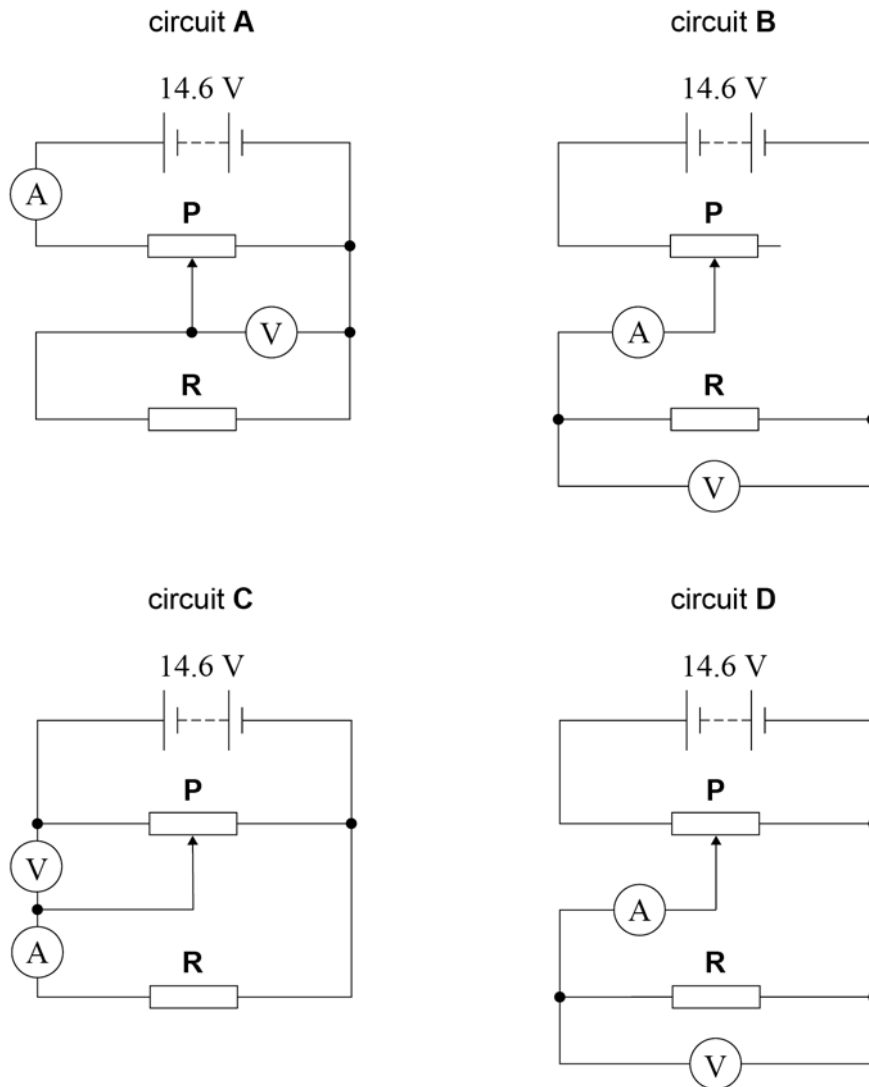
Turn over ►



0 2 . 4

One of the circuits **A** to **D** shown in **Figure 4** was used to obtain the current–voltage data in **Figure 3**. The maximum resistance of resistor **P** is twice the resistance of **R**. The battery has an emf of 14.6 V and negligible internal resistance.

Figure 4



Section B

Answer **all** questions in this section.

0 3

This question is about two applications of photon energy and momentum: positron emission tomography (PET) and a solar sail.

The momentum of a photon is $\frac{\text{photon energy}}{\text{speed of light in a vacuum}}$

0 3 . 1

In preparing for a PET scan of a patient's brain, a small sample of a substance containing unstable nuclei is injected into the patient.

A positron is emitted when one of the unstable nuclei undergoes β^+ decay.

Explain how the change in quark character in β^+ decay affects the number of neutrons and the number of protons in the unstable nucleus.

[2 marks]

0 3 . 2

The positron interacts with an electron, resulting in annihilation. As a result, gamma photons are produced.

The energy of each gamma photon is 0.52 MeV.

Calculate the momentum, in N s, of one of the gamma photons produced in this annihilation.

[2 marks]

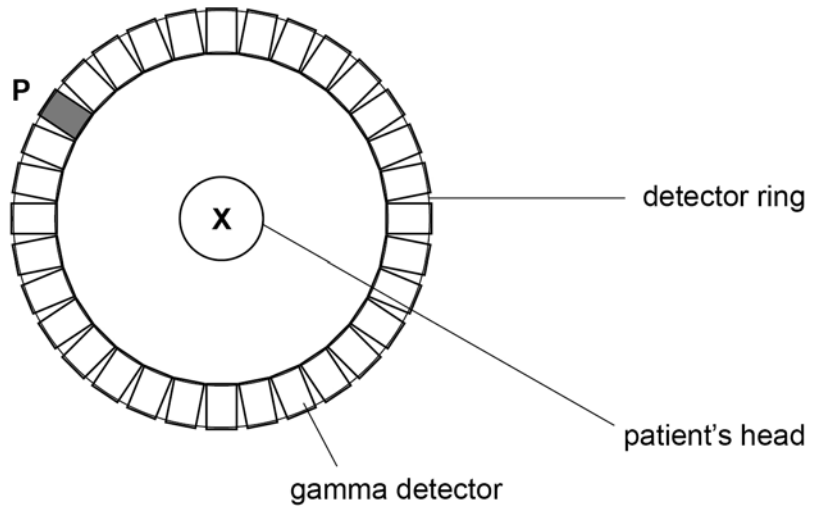
momentum = _____ N s



03.3

Figure 5 shows a cross-sectional view of the patient's head inside a ring of gamma detectors during the PET scan.

Figure 5



A positron and an electron meet and annihilate at position X shown in Figure 5. Assume they have negligible kinetic energy when they meet.

Gamma photons are produced in this annihilation and are detected. The arrival of one gamma photon at detector P triggers a signal. Detector P has been shaded in Figure 5.

Identify by shading any other detectors that will be triggered by this annihilation.

[1 mark]

03.4

Explain your answer to question 03.3.

[2 marks]

Question 3 continues on the next page

Turn over ►



0 3 . 5

Figure 6 shows a stream of photons of light, emitted from the Sun, incident on a solar sail. A solar sail is an experimental spacecraft that uses photons of light to accelerate it.

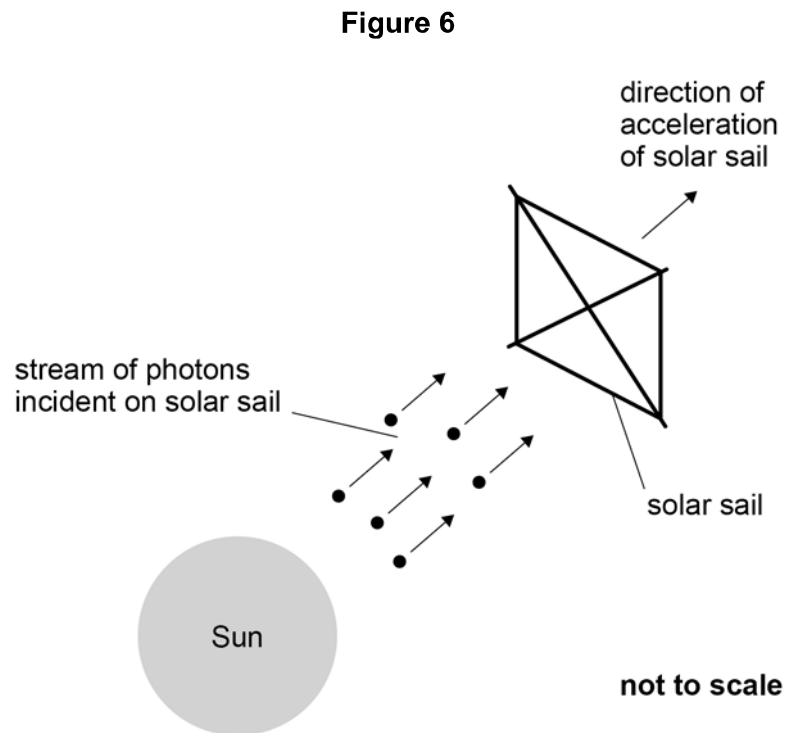
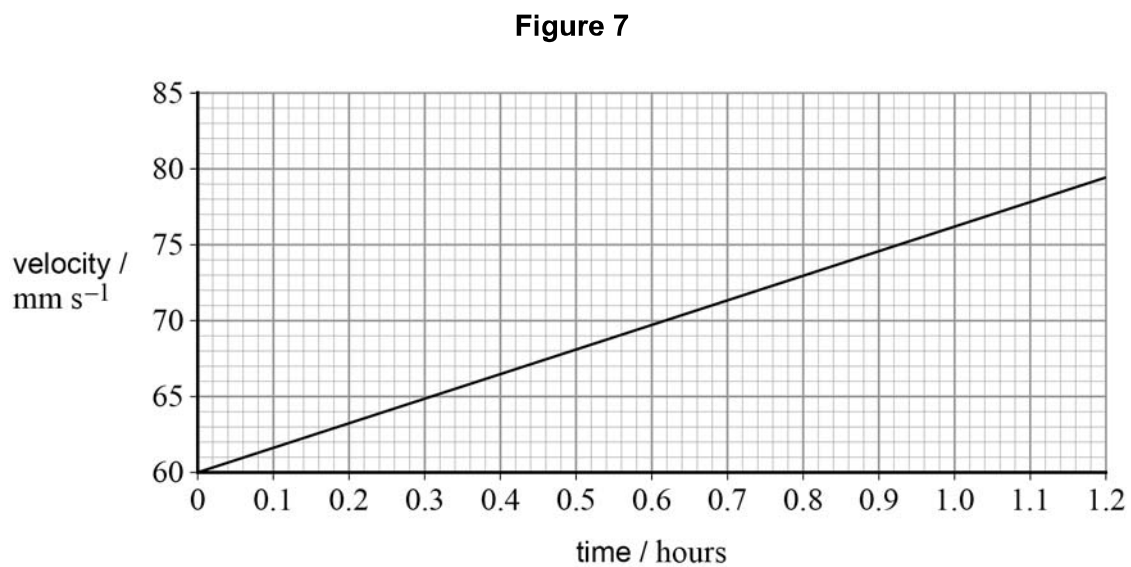


Figure 7 shows the velocity–time graph for the solar sail.



Calculate the acceleration, in m s^{-2} , of the solar sail.

[2 marks]

acceleration = _____ m s^{-2}

0 3 . 6

The reflectance of a surface is proportional to the percentage of incident photons that are reflected off the surface.

Explain the effect of increasing the reflectance of the solar sail on the acceleration. Assume gravity has negligible effect on the solar sail.

[2 marks]

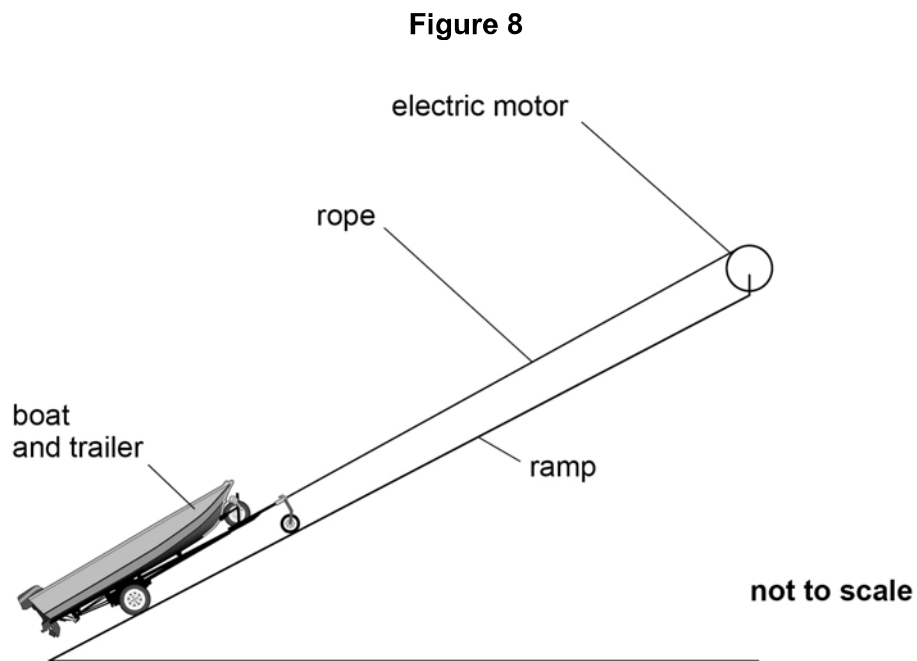
11

Turn over ►



0	4
---	---

This question is about the initial motion of a boat and trailer when pulled up a ramp as shown in **Figure 8**.



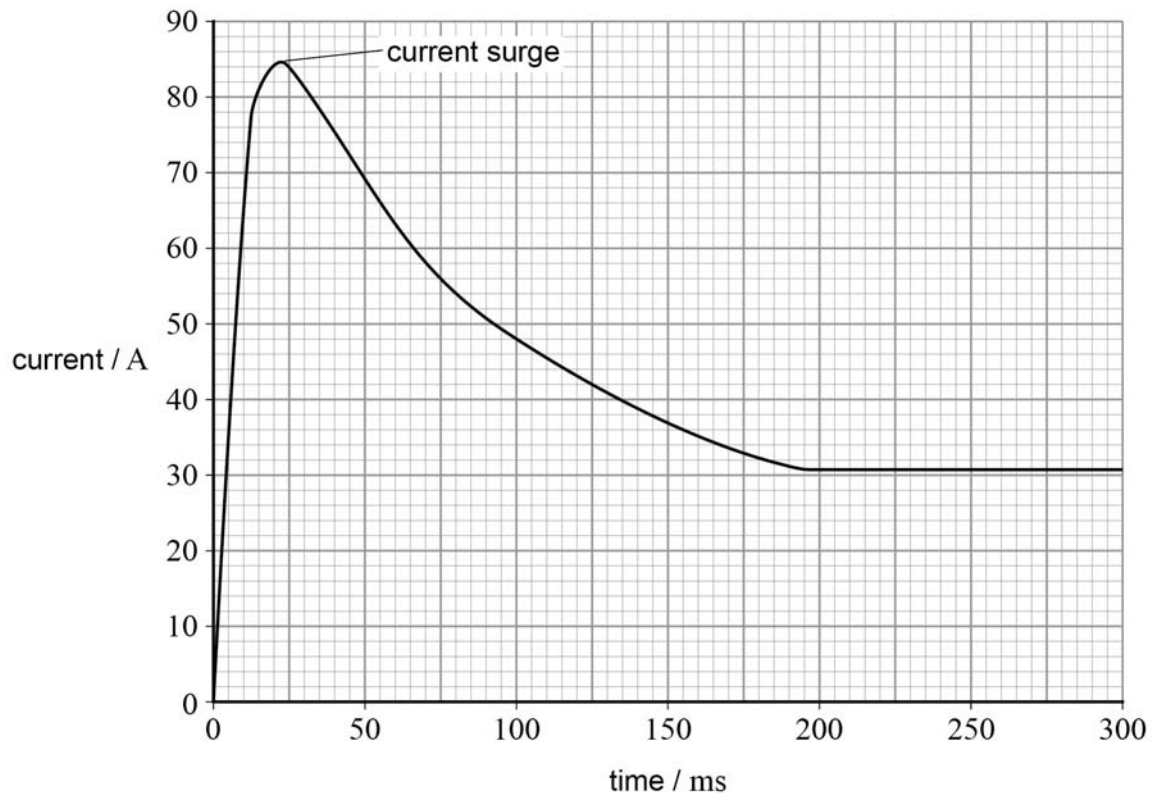
The boat and trailer are pulled by a motor which is connected to a 24 V battery of negligible internal resistance.



The motor is switched on at time $t = 0$

Figure 9 shows how the current in the motor's circuit varies with time.

Figure 9



0 4 . 1

Determine the total energy input by the 24 V battery to the motor in the first 200 ms.

[3 marks]

total energy input = _____ J

Question 4 continues on the next page

Turn over ►



0	4	.	2
---	---	---	---

The boat and trailer are initially at rest. In the first 200 ms the boat and trailer are raised through a vertical height of 3.3×10^{-2} m and the speed increases to 0.85 m s^{-1} .

Assume that all the useful energy output by the motor is transferred into kinetic energy and gravitational potential energy of the boat and trailer.

The boat and trailer have a total mass of 180 kg.

Determine the average efficiency of the motor during these first 200 ms.

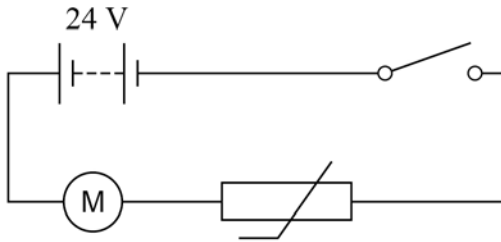
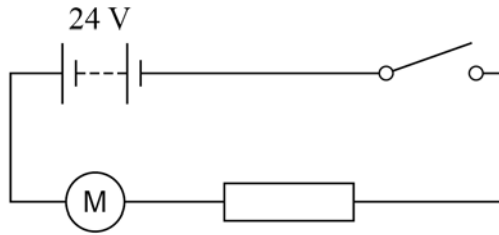
[3 marks]

average efficiency = _____



0 4 . 3

Either of the circuits shown in **Figure 10a** and **Figure 10b** could be used to reduce the initial current surge.

Figure 10a**Figure 10b**

The thermistor and the fixed resistor have the same resistance when they are at the temperature of the surroundings.

When the surge has ended, the boat and trailer continue to move at a constant speed to the top of the ramp.

Explain, with reference to the properties of the thermistor and the fixed resistor, why using the thermistor is preferable to using the fixed resistor.

[3 marks]

Turn over ►

Section C

Each of Questions 5 to 34 is followed by four responses, A, B, C and D.

For each question select the best response.

Only **one** answer per question is allowed.

For each question completely fill in the circle alongside the appropriate answer.

CORRECT METHOD



WRONG METHODS



If you want to change your answer you must cross out your original answer as shown.



If you wish to return to an answer previously crossed out, ring the answer you now wish to select as shown.



You may do your working in the blank space around each question but this will not be marked.

Do **not** use additional sheets for this working.

0 5

Which quantities can be written in the fundamental units $\text{kg m}^{-1} \text{s}^{-2}$?

[1 mark]

A Tensile stress and kinetic energy

B The moment of a force and kinetic energy

C Young modulus and the moment of a force

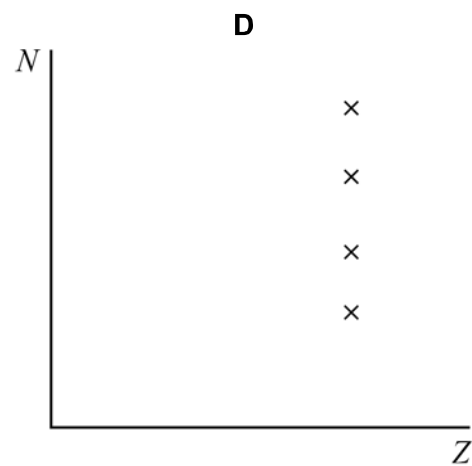
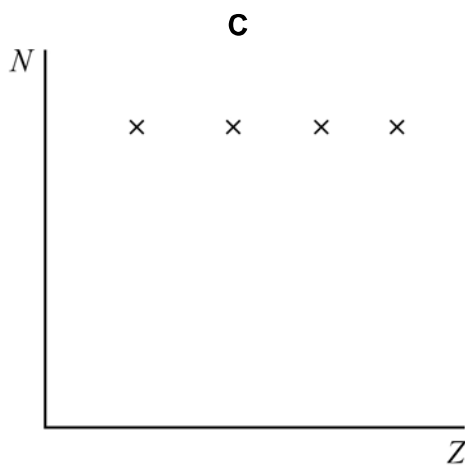
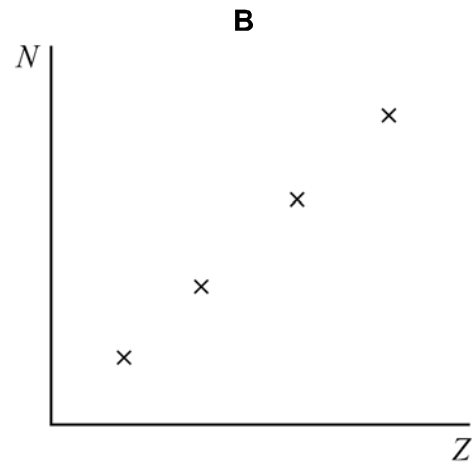
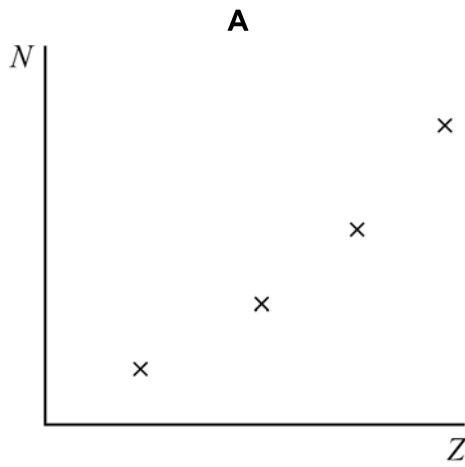
D Young modulus and tensile stress



0 6

Which is a graph of neutron number N plotted against proton number Z for the isotopes of a given element?

[1 mark]

A B C D

Turn over ►



- 0 7** Unstable nuclide **P** decays to nuclide **T** through a series of alpha (α) and beta-minus (β^-) decays.



Which statement is correct?

[1 mark]

- A** **P** and **S** are isotopes.
- B** **Q** and **T** have different proton numbers.
- C** **Q** and **S** have different nucleon numbers.
- D** **R** has a greater proton number than **P**.

- 0 8** Which row gives a particle with its quark combination and category?

[1 mark]

	Particle	Quark combination	Category	
A	Negative pion	$d\bar{u}$	baryon	<input type="radio"/>
B	Positive pion	$u\bar{d}$	hadron	<input type="radio"/>
C	Negative pion	$u\bar{d}$	meson	<input type="radio"/>
D	Positive pion	$d\bar{u}$	hadron	<input type="radio"/>

- 0 9** Which row gives the numbers of baryons and leptons in an atom of $^{12}_6\text{C}$?

[1 mark]

	Number of baryons	Number of leptons	
A	6	6	<input type="radio"/>
B	12	6	<input type="radio"/>
C	6	12	<input type="radio"/>
D	18	0	<input type="radio"/>



1 0

A muon

[1 mark]

- A** is subject to the strong interaction.
- B** can decay into an electron only.
- C** is a stable particle.
- D** is subject to the weak interaction.

1 1

Photons of energy 1.0×10^{-18} J are incident on a metal surface and cause the emission of electrons from the metal surface.

Which statement about the emitted electrons is correct?

[1 mark]

- A** They each have a kinetic energy of 1.0×10^{-18} J.
- B** They each have a kinetic energy that is a multiple of 1.0×10^{-18} J.
- C** Their mean kinetic energy is 1.0×10^{-18} J.
- D** The kinetic energy of each must be less than 1.0×10^{-18} J.

1 2

Evidence of the wave-like properties of electrons is

[1 mark]

- A** the emission of electrons when short-wavelength light falls on a metal surface.
- B** the movement of electrons in an electric current.
- C** the diffraction of electrons by a metal crystal.
- D** the annihilation of an electron with a positron.

Turn over ►

1 3 What is the approximate average kinetic energy of a cyclist in a race?

[1 mark]

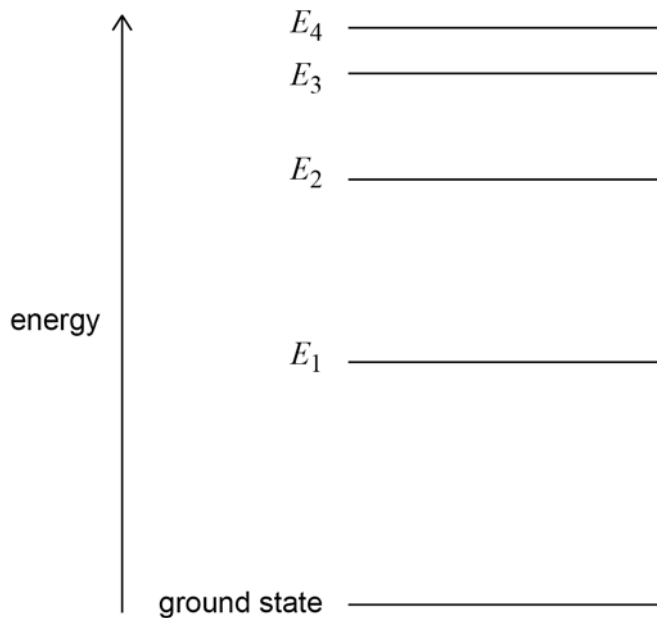
A 10 J

B 10 kJ

C 10 MJ

D 10 TJ

1 4 The diagram shows the energy levels in an atom drawn to scale. A transition from E_4 to E_2 causes the emission of a photon of green light.



Which transition could cause the emission of a photon of red light?

[1 mark]

A E_2 to E_1

B E_3 to E_1

C E_3 to E_2

D E_4 to E_1



1 5

A sonar transmitter on a ship produces pulses of sound waves. Each pulse of sound waves contains 12 complete oscillations. The frequency of these waves is 8.0 kHz and the speed of sound in seawater is $1.5 \times 10^3 \text{ m s}^{-1}$.

What is the length of one pulse in seawater?

[1 mark]

A 0.188 m

B 2.25 m

C $2.25 \times 10^3 \text{ m}$

D $1.44 \times 10^5 \text{ m}$

1 6

Which gives the regions of the electromagnetic spectrum in order of increasing wavelength?

[1 mark]

A X-rays, ultraviolet, infrared, radio waves

B X-rays, microwaves, ultraviolet, infrared

C infrared, radio waves, microwaves, X-rays

D microwaves, infrared, ultraviolet, X-rays

1 7

The frequency of the first harmonic of a wire fixed at both ends is 300 Hz. The tension in the wire is now doubled.

What is the frequency of the first harmonic after this change?

[1 mark]

A 150 Hz

B 210 Hz

C 420 Hz

D 600 Hz

Turn over ►

1 8

In a Young's double-slit experiment, the spacing of the double slits is s and the distance between the slits and the screen on which fringes are formed is D . When monochromatic light of wavelength λ is incident on the slits the distance between adjacent fringes on the screen is w .

Which row shows another arrangement that produces a fringe spacing of w ?

[1 mark]

	Spacing of double slits	Distance between the slits and the screen	Wavelength of the light	
A	$4s$	$2D$	2λ	<input type="radio"/>
B	$2s$	$4D$	2λ	<input type="radio"/>
C	$2s$	$2D$	4λ	<input type="radio"/>
D	$2s$	$2D$	2λ	<input type="radio"/>

1 9

Monochromatic electromagnetic radiation of wavelength 5.8×10^{-7} m is incident normally on a diffraction grating with 3.0×10^5 lines per metre.

What is the highest order maximum produced?

[1 mark]

- A** 5
- B** 6
- C** 10
- D** 13

2 0

Which characteristics of monochromatic light change when the light passes from air into glass?

[1 mark]

- A** Speed, wavelength and frequency.
- B** Speed and frequency only.
- C** Speed and wavelength only.
- D** Wavelength and frequency only.



2 1

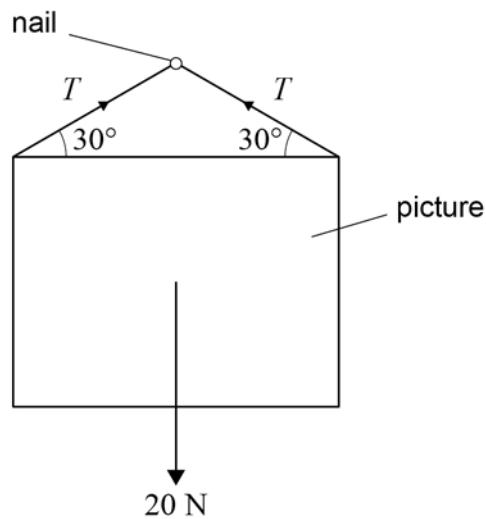
Which is a description of the pattern produced when monochromatic light passes through a very narrow slit?

[1 mark]

- A A series of equally-spaced light and dark fringes.
- B A narrow central maximum with wider side fringes.
- C A few bright fringes that are widely spaced.
- D A wide central maximum with narrower side fringes.

2 2

A uniform picture is suspended from a string which passes over a smooth nail. The tension in the string is T and the weight of the picture is 20 N.



What is T ?

[1 mark]

- A 10 N
- B 12 N
- C 20 N
- D 40 N

Turn over ►

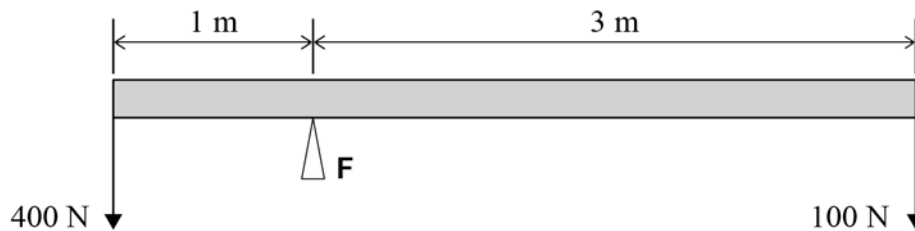


2 3 Which row contains vector quantities only?

[1 mark]

A	acceleration	mass	<input type="radio"/>
B	displacement	momentum	<input type="radio"/>
C	energy	force	<input type="radio"/>
D	distance	speed	<input type="radio"/>

2 4 A uniform rod is balanced horizontally about a support **F**. Forces of 400 N and 100 N act at the ends of the rod, as shown.



What is the reaction force acting on the rod at support **F**?

[1 mark]

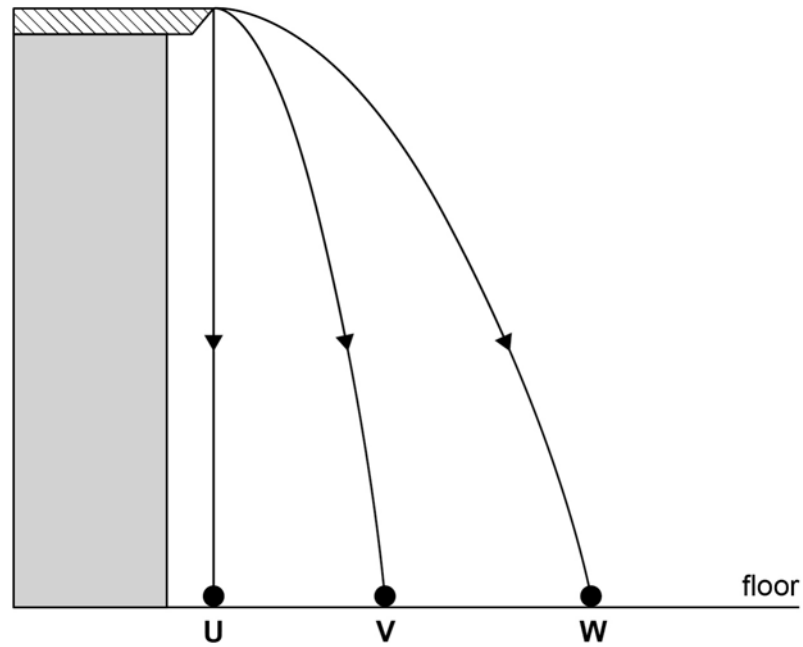
- A** 100 N
- B** 500 N
- C** 550 N
- D** 600 N



2 5

Three objects **U**, **V** and **W** leave the edge of a bench at the same time. The objects fall in the same vertical plane with negligible air resistance. **U** is released from rest so that it falls vertically. **V** and **W** are projected horizontally.

The paths of the three objects are shown.



Which statement is correct?

[1 mark]

- A** **U** hits the floor before **V** and **W**.
- B** **W** hits the floor before **V**.
- C** **W** hits the floor with the greatest speed.
- D** **U** hits the floor with the greatest speed.

Turn over ►



2 6

A railway truck of mass 2000 kg travelling horizontally at 1.5 m s^{-1} collides with a stationary truck of mass 3000 kg.
After the collision they move together.

Which row is correct?

[1 mark]

	Speed of the trucks immediately after collision / m s^{-1}	Effect of collision on total kinetic energy	
A	0.6	no change	<input type="radio"/>
B	0.6	decrease	<input type="radio"/>
C	1.0	no change	<input type="radio"/>
D	1.0	decrease	<input type="radio"/>

2 7

A car of mass 1000 kg accelerates uniformly from rest to a speed of 25.0 m s^{-1} in 50.0 s.
The car is travelling along a horizontal road.

What is the average useful power output of the car over this period?

[1 mark]

- A** 0.50 kW
- B** 2.00 kW
- C** 6.25 kW
- D** 12.5 kW

2 8

A tensile force produces an extension ΔL in a steel wire of initial length L and diameter d .
The same steel is used to make a second wire of initial length $2L$ and diameter $\frac{d}{2}$.
What is the extension when the same force is applied to the second wire?

[1 mark]

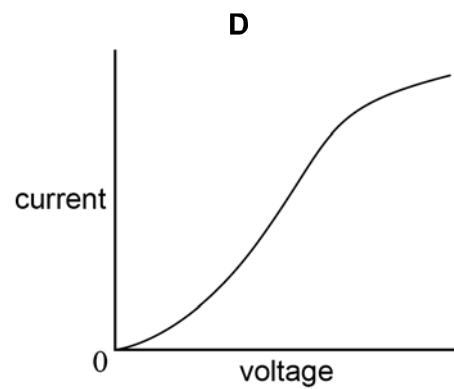
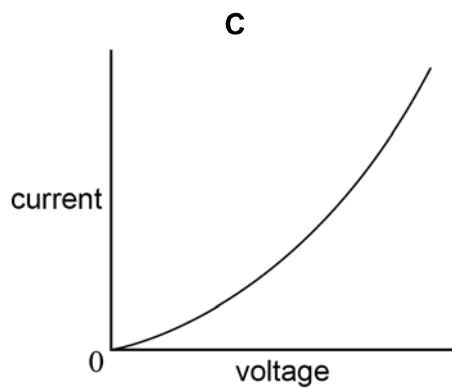
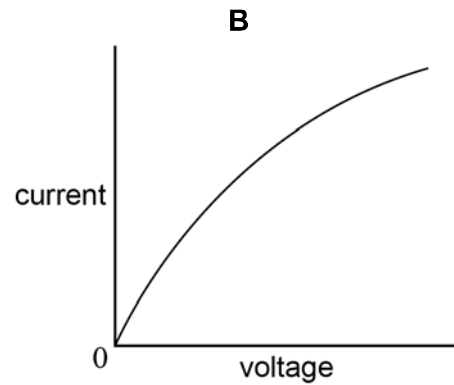
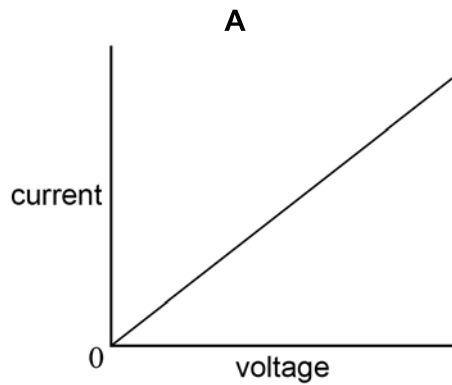
- A** $\frac{\Delta L}{2}$
- B** $2\Delta L$
- C** $4\Delta L$
- D** $8\Delta L$



2 9

Which is the current–voltage characteristic graph for a filament lamp up to its working voltage?

[1 mark]

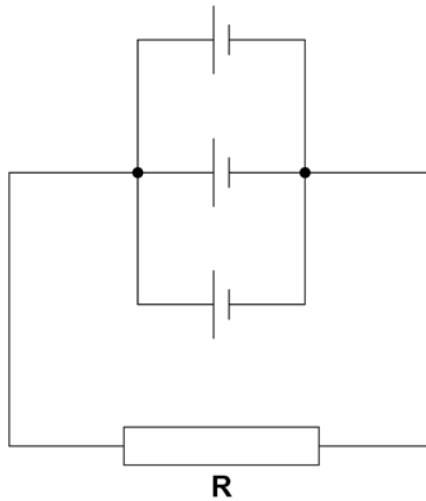
A B C D

Turn over ►



3 0

Three identical cells, each of emf 1.5 V and internal resistance $6.0\ \Omega$, are connected to resistor **R**. The resistance of **R** is $6.0\ \Omega$.



What is the current in **R**?

[1 mark]

- A** 0.19 A
- B** 0.25 A
- C** 0.56 A
- D** 0.75 A

3 1

A power of 100 kW at a potential difference of 10 kV is transmitted to a load resistor through cables of total resistance $5.0\ \Omega$.

What is the power loss in the cables?

[1 mark]

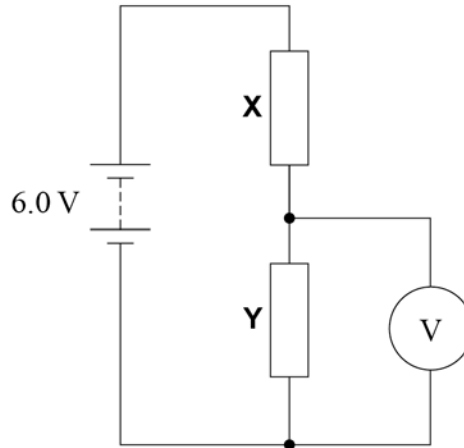
- A** 50 W
- B** 0.5 kW
- C** 100 kW
- D** 20 MW



3 2 Resistors **X** and **Y** are connected in series with a 6.0 V battery of negligible internal resistance.

X has resistance R and **Y** has resistance $\frac{R}{2}$.

A voltmeter of resistance R is connected across **Y**.



What is the reading on the voltmeter?

[1 mark]

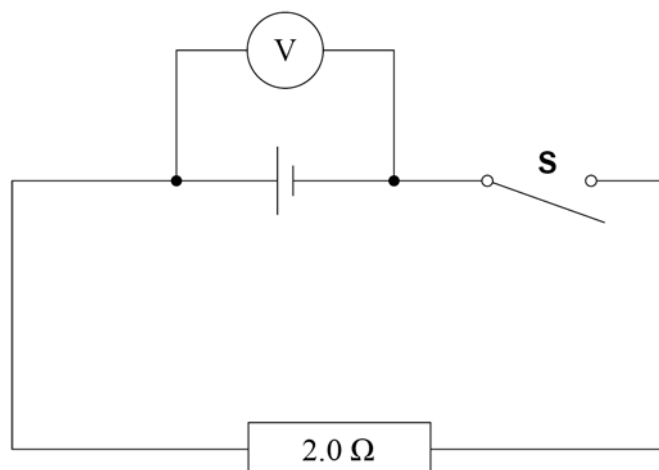
- A** 0.0 V
- B** 1.5 V
- C** 3.0 V
- D** 4.5 V

Turn over for the next question

Turn over ►



3 3 The reading on the voltmeter halves when switch **S** is closed.



What is the internal resistance of the cell?

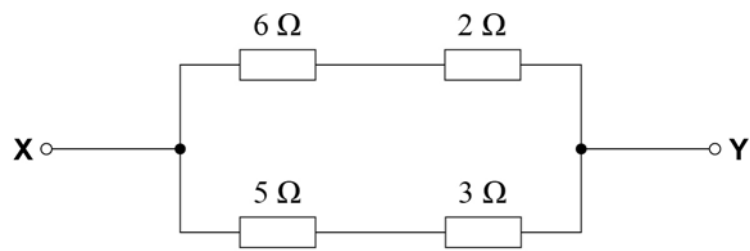
[1 mark]

- A** 0.50Ω
- B** 1.0Ω
- C** 2.0Ω
- D** 4.0Ω



3 4

In the circuit shown, a potential difference of 3.0 V is applied across **XY**.



What is the current in the 5 Ω resistor?

[1 mark]

- A** 0.38 A
- B** 0.60 A
- C** 0.75 A
- D** 2.7 A

END OF QUESTIONS

There are no questions printed on this page

*Do not write
outside the
box*

**DO NOT WRITE ON THIS PAGE
ANSWER IN THE SPACES PROVIDED**

Copyright information

For confidentiality purposes, acknowledgements of third-party copyright material are published in a separate booklet rather than including them on the examination paper or support materials. This booklet is published after each examination series and is available for free download from www.aqa.org.uk after the live examination series.

Permission to reproduce all copyright material has been applied for. In some cases, efforts to contact copyright-holders may have been unsuccessful and AQA will be happy to rectify any omissions of acknowledgements. If you have any queries please contact the Copyright Team, AQA, Stag Hill House, Guildford, GU2 7XJ.

Copyright © 2019 AQA and its licensors. All rights reserved.



3 6



1 9 6 A 7 4 0 7 / 2

IB/M/Jun19/7407/2