

Please write clearly in block capitals.

Centre number

--	--	--	--	--

Candidate number

--	--	--	--

Surname

---

Forename(s)

---

Candidate signature

---

# A-level PHYSICS

## Paper 1

Monday 20 May 2019

Afternoon

Time allowed: 2 hours

### Materials

For this paper you must have:

- a pencil and a ruler
- a scientific calculator
- a Data and Formulae Booklet.

### Instructions

- Use **black ink** or **black ball-point pen**.
- **Fill** in the boxes at the top of this page.
- Answer **all** questions.
- You must answer the questions in the spaces provided. Do not write outside the box around each page or on blank pages.
- If you need extra space for your answer(s), use the lined pages at the end of this book. Write the question number against your answer(s).
- Do **all** rough work in this book. Cross through any work you do not want to be marked.
- Show **all** your working.

### Information

- The marks for questions are shown in brackets.
- The maximum mark for this paper is 85.
- You are expected to use a scientific calculator where appropriate.
- A Data and Formulae Booklet is provided as a loose insert.

For Examiner's Use	
Question	Mark
1	
2	
3	
4	
5	
6	
7	
8–32	
<b>TOTAL</b>	



**Section A**Answer **all** questions in this section.

**0 1 . 1** Two isotopes of iodine are  ${}_{53}^{125}\text{I}$  and  ${}_{53}^{131}\text{I}$ .

Determine, for these two isotopes, the difference between the constituents of the nuclei.

**[1 mark]**

---

---

**0 1 . 2** A  ${}_{53}^{131}\text{I}$  nuclide undergoes beta ( $\beta^-$ ) decay to form a xenon nuclide.

State the nucleon number of the xenon nuclide.

**[1 mark]**

---

**0 1 . 3** A  ${}_{53}^{125}\text{I}$  nuclide decays by electron capture to form a tellurium nuclide.

State **two** differences between the constituents of the iodine nucleus and the tellurium nucleus it decays into.

**[2 marks]**

---

---

---

---



0 1 . 4

Internal conversion is a process in which a nucleus in an excited state can release its excess energy. In internal conversion all of the excess energy is transferred from the nucleus to an orbital electron through the electromagnetic force. This orbital electron is ejected from the atom.

The tellurium nucleus formed in question 01.3 is in an excited state and can undergo internal conversion.

Discuss **three** differences between internal conversion and beta ( $\beta^-$ ) decay.

**[3 marks]**

1 \_\_\_\_\_

\_\_\_\_\_

\_\_\_\_\_

2 \_\_\_\_\_

\_\_\_\_\_

\_\_\_\_\_

3 \_\_\_\_\_

\_\_\_\_\_

\_\_\_\_\_

7

Turn over for the next question

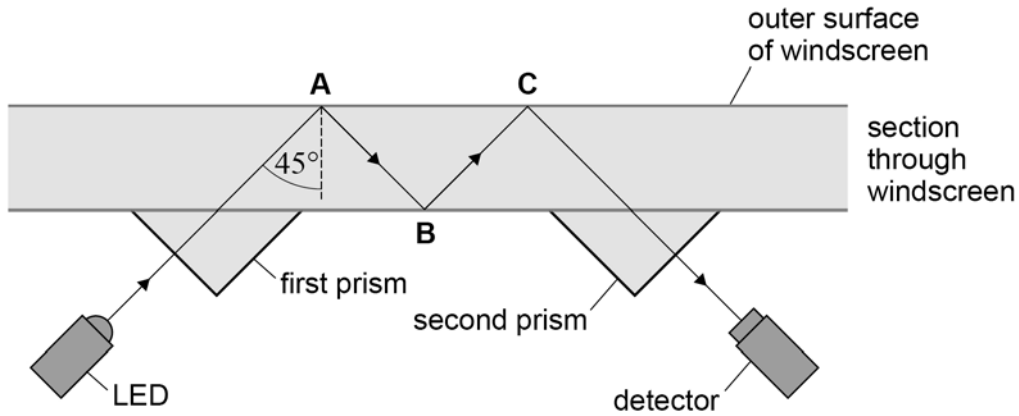
Turn over ►



0 2

Some cars are fitted with a water sensor designed to switch on windscreen wipers automatically when it rains. **Figure 1** shows a simplified diagram of the sensor.

**Figure 1**



A light ray travels from the light-emitting diode (LED) through the first prism and into the windscreen. The ray reflects off the surfaces of the windscreen at **A**, **B** and **C** and then passes through the second prism into the detector.

0 2 . 1

Suggest how the design ensures that there is no deviation of the ray as it enters the first prism.

[1 mark]

---



---

0 2 . 2

Suggest **two** features of the design that ensure that there is no deviation of the ray as it leaves the first prism and enters the windscreen glass.

[2 marks]

1 

---

2 

---

---



0 2 . 3

The refractive index of the windscreen glass is 1.52

Explain why the ray follows the path shown inside the windscreen glass in **Figure 1**.  
Support your answer with a suitable calculation.

**[2 marks]**

---

---

---

---

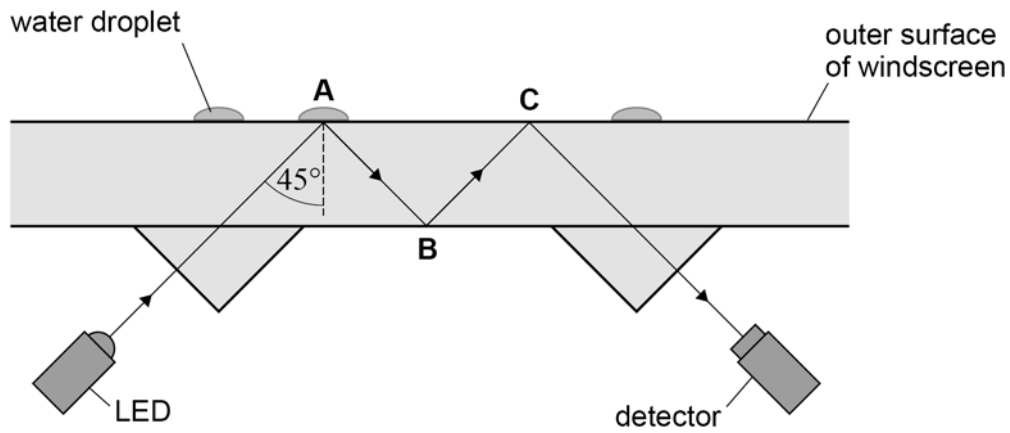
**Question 2 continues on the next page**

**Turn over ►**



**0 2 . 4** When it starts to rain, water droplets form on the outside of the windscreen as shown in **Figure 2**.

**Figure 2**



The refractive index of water is 1.33

Explain why the presence of water at **A** causes the intensity of the light at the detector to decrease.

Support your answer with a suitable calculation.

**[2 marks]**

---



---



---



---



---



---



0 2 . 5

The refractive index of the windscreen glass can vary by a few per cent across the thickness of the glass.

Discuss how this variation may affect the path of the ray through the windscreen glass.

[2 marks]

---



---



---



---



---



---



---



---

0 2 . 6

A different design has the LED and the detector further apart. The ray undergoes more reflections inside the windscreen glass before reaching the detector.

Discuss **two** ways in which this different design affects the sensitivity of the sensor to the presence of water droplets.

[2 marks]

1 \_\_\_\_\_

---



---



---

2 \_\_\_\_\_

---



---



---

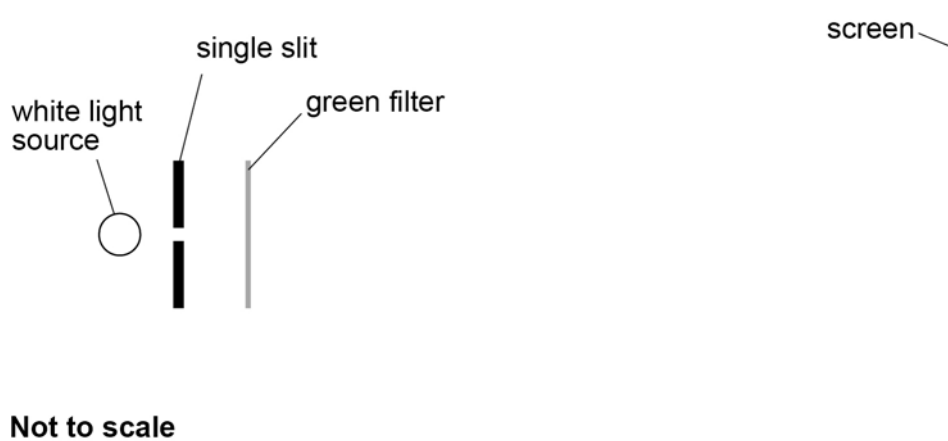
11

Turn over ►



0 3

**Figure 3** shows an arrangement to investigate diffraction. White light is incident on a single slit. After leaving the slit, the diffracted light passes through a green filter to reach the screen.

**Figure 3**

0 3 . 1

Describe the pattern produced on the screen.

**[2 marks]**


---



---



---



---



---



---

0 3 . 2

The green filter is replaced with a red filter.

Describe the change in the pattern produced on the screen.

**[2 marks]**


---



---



---



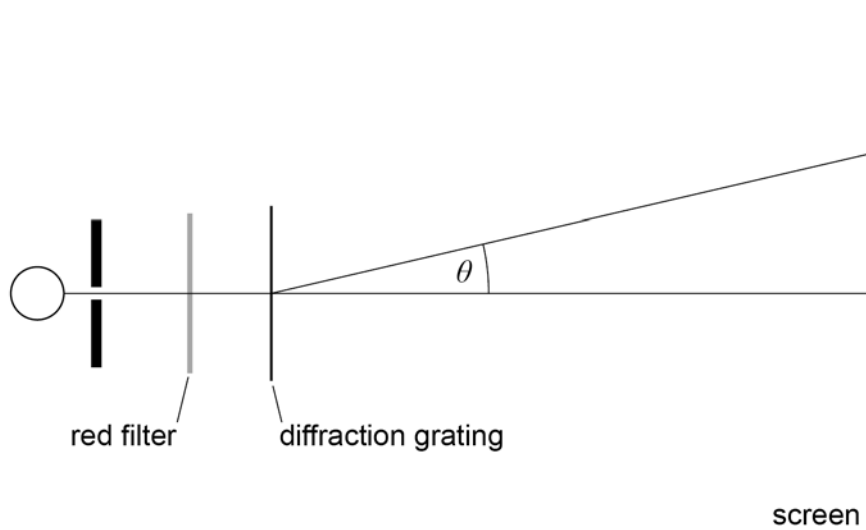
---





0 3 . 3

A diffraction grating is placed between the red filter and the screen. The diffraction grating has 500 lines per millimetre. Light is incident normally on the grating. **Figure 4** shows the arrangement.

**Figure 4****Not to scale**

The wavelength of the red light is 650 nm.

Calculate the angle  $\theta$  between a first-order maximum and the central maximum.

**[2 marks]**

$\theta =$  \_\_\_\_\_ degrees

**Question 3 continues on the next page**

**Turn over ►**



0 3 . 4

In practice, the filter transmits red light with wavelengths in the range 600 nm to 700 nm.

Suggest how this affects the appearance of the maxima.

[2 marks]

---

---

---

---

---

---

---

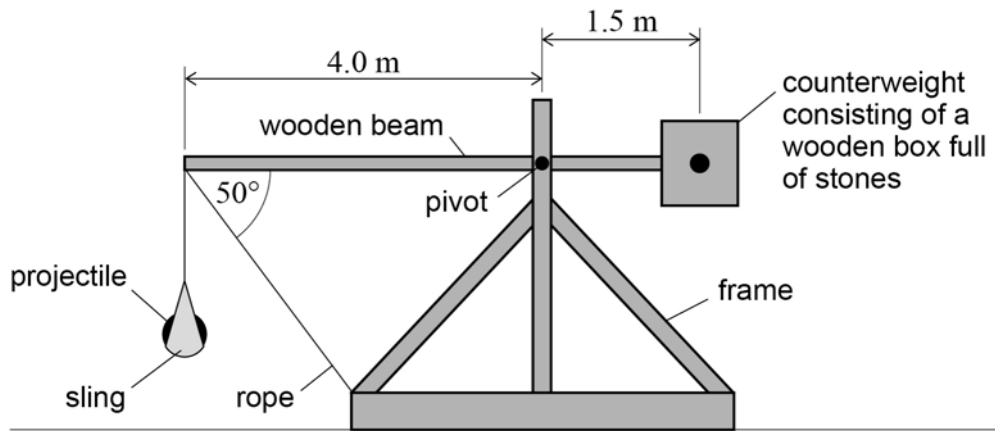
8



0 4

Figure 5 shows a simplified catapult used to hurl projectiles a long way.

Figure 5



The counterweight is a wooden box full of stones attached to one end of the beam. The projectile, usually a large rock, is in a sling hanging vertically from the other end of the beam. The weight of the sling is negligible. The beam is held horizontal by a rope attached to the frame.

0 4 . 1

The catapult is designed so that the weight of the beam and the weight of the **empty** wooden box have no effect on the tension in the rope.

Suggest how the pivot position achieves this.

[2 marks]

---

---

---

---

---

---

---

---

---

---

Question 4 continues on the next page

Turn over ►



- 0 4 . 2** The stones in the counterweight have a total mass of 610 kg and the projectile weighs 250 N.

Calculate the tension in the rope.

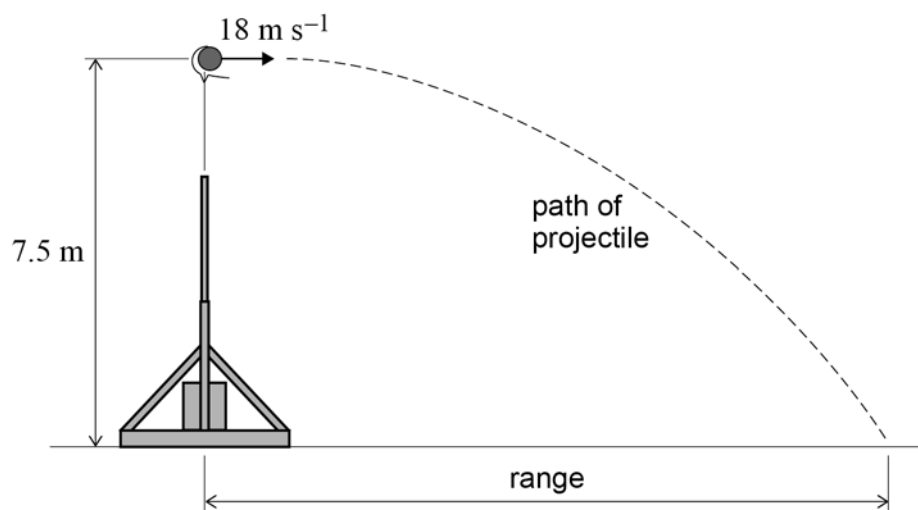
**[5 marks]**

tension = \_\_\_\_\_ N

- 0 4 . 3** When the rope is cut, the counterweight rotates clockwise. When the beam is vertical it is prevented from rotating further. The projectile is then released horizontally with a velocity of  $18 \text{ m s}^{-1}$ , as shown in **Figure 6**.

The projectile is released at a height of 7.5 m above ground level.

**Figure 6**



The range of the catapult is the horizontal distance between the point where the projectile is released to the point where it lands.

Calculate the range.  
Ignore air resistance.

[2 marks]

range = \_\_\_\_\_ m

0 4 . 4

In another release, the sling is adjusted so that a projectile of the same mass is released just before the wooden beam is vertical. The projectile is not released horizontally.

Discuss the effect this change has on the range of the catapult.

[3 marks]

---

---

---

---

---

---

---

---

---

---

12

Turn over ►



0 5

Safety barriers are used on UK motorways to prevent vehicles crossing from one carriageway to the other carriageway. The barriers also absorb some of the kinetic energy of a vehicle and deflect vehicles along the barrier.

The standard test of a safety barrier uses a vehicle that contains dummies. The total mass of the vehicle and its contents is  $1.5 \times 10^3$  kg and its initial speed is  $110 \text{ km h}^{-1}$ .

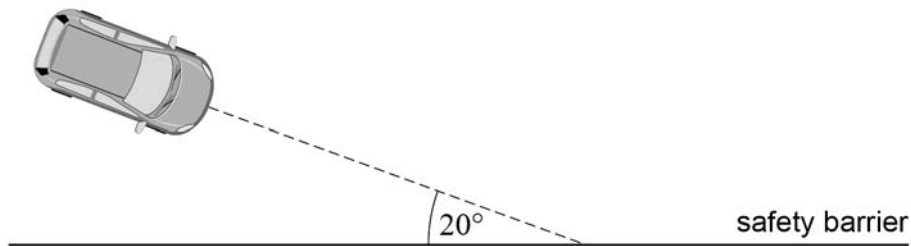
0 5 . 1

Show that the initial kinetic energy of the test vehicle is 700 kJ.

**[2 marks]**

0 5 . 2

The test vehicle hits a steel safety barrier at an angle of  $20^\circ$ , as shown in **Figure 7**.

**Figure 7**

Calculate the component of the momentum of the test vehicle in a direction along the line of the safety barrier.

Give an appropriate unit for your answer.

**[3 marks]**

momentum = \_\_\_\_\_ unit \_\_\_\_\_



**0 5 . 3** Immediately after the collision, the test vehicle moves along the safety barrier with no change in its momentum in this direction.

Show that the kinetic energy lost in the collision is about 80 kJ.

**[3 marks]**

**0 5 . 4** The steel safety barrier deforms during the collision. For the barrier to pass the test, the test vehicle should not move more than 1.5 m towards the other carriageway.

The barrier can apply an average force of 60 kN at right angles to the carriageway.

Deduce whether the safety barrier will pass the test.

**[3 marks]**

---

---

**Question 5 continues on the next page**

**Turn over ►**



0 5 . 5

A different safety barrier uses a solid concrete wall which does not deform. The same standard test is carried out on a concrete wall.

Discuss which type of barrier would cause less damage to the dummies in the test.

**[2 marks]**

---

---

---

---

---

---

---

---

13



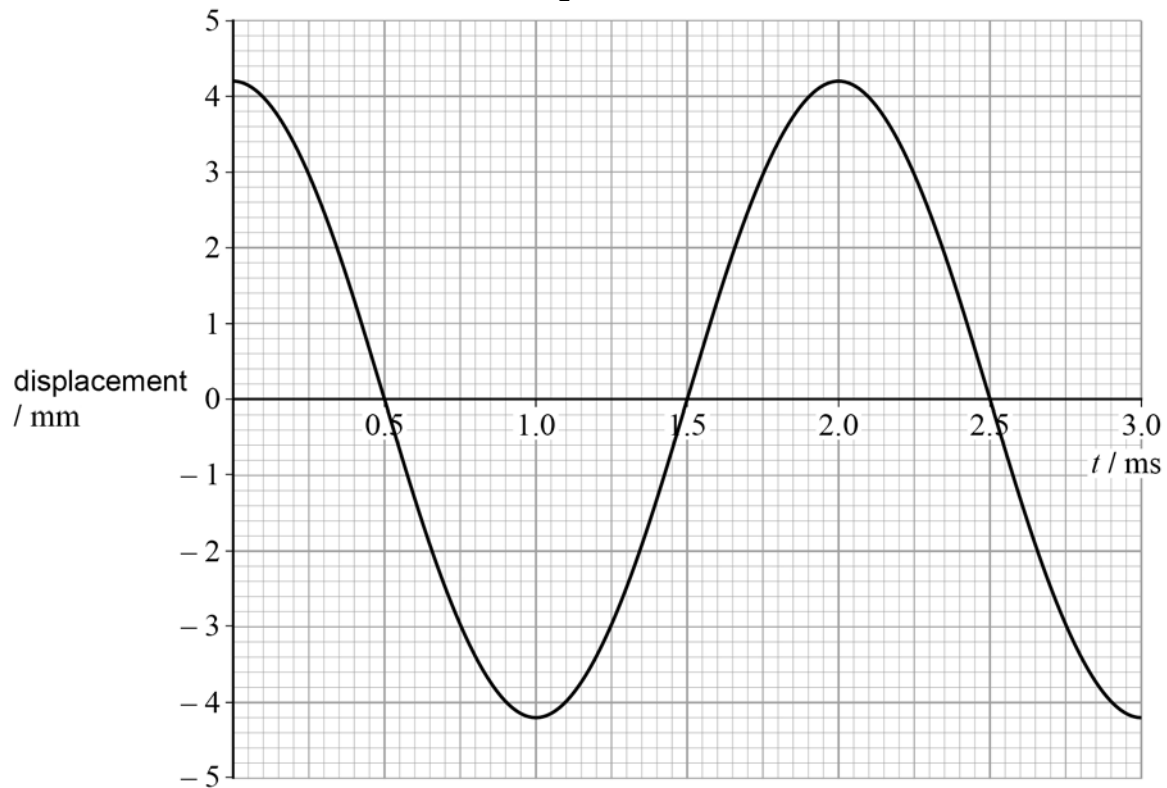


0 6

A loudspeaker cone is driven by a signal generator (oscillator).

**Figure 8** shows the variation of displacement with time  $t$  for a point **P** at the centre of the cone. **P** is oscillating with simple harmonic motion.

**Figure 8**



0 6 . 1

State the time, in milliseconds, when **P** is moving at its maximum positive velocity.

[1 mark]

time = \_\_\_\_\_ ms

0 6 . 2

Calculate the maximum acceleration of **P**.

[3 marks]

acceleration = \_\_\_\_\_  $\text{m s}^{-2}$

Question 6 continues on the next page

Turn over ►



0	6	.	3
---	---	---	---

The loudspeaker creates variations in pressure and produces a sound wave in the air around it.

State the type of wave produced and describe the motion of the particles in this type of wave.

[1 mark]

---

---

---

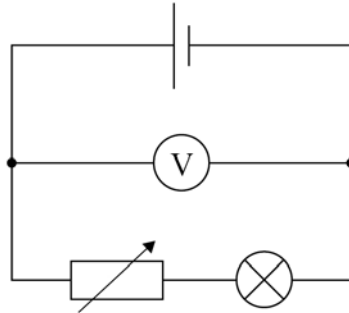
---

5
---



0 7

**Figure 9** shows a practical circuit in which a variable resistor is used to control the brightness of a lamp. The voltmeter reading is monitored as the variable resistor is adjusted to make the lamp brighter.

**Figure 9**

0 7 . 1

Explain why the reading on the voltmeter decreases as the brightness of the lamp increases.

**[2 marks]**


---



---



---



---



---

0 7 . 2

The variable resistor is adjusted so that the lamp is at its brightest. The reading  $V_1$  on the voltmeter is noted. A second identical cell is then connected in parallel with the cell in **Figure 9**. The new reading  $V_2$  on the voltmeter is noted.

Explain why  $V_2$  is greater than  $V_1$ .

**[2 marks]**


---



---



---



---



---

4

**Turn over ►**

## Section B

Each of Questions 8 to 32 is followed by four responses, A, B, C and D.

For each question select the best response.

Only **one** answer per question is **allowed**.

For each question **completely fill** in the circle alongside the appropriate answer.

CORRECT METHOD



WRONG METHODS

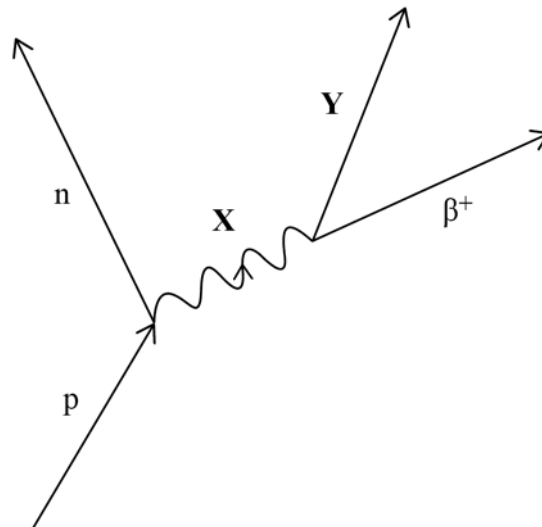


If you want to change your answer you must cross out your original answer as shown.

If you wish to return to an answer previously crossed out, ring the answer you now wish to select as shown.

You may do your working in the **blank** space around each question but this **will not** be marked.  
Do **not** use additional sheets for this working.

**0 8** The process of beta plus ( $\beta^+$ ) decay can be represented by



Which row identifies particles X and Y?

[1 mark]

	X	Y	
<b>A</b>	$W^+$	$\nu_e$	<input type="radio"/>
<b>B</b>	$W^+$	$\bar{\nu}_e$	<input type="radio"/>
<b>C</b>	$W^-$	$\nu_e$	<input type="radio"/>
<b>D</b>	$W^-$	$\bar{\nu}_e$	<input type="radio"/>



**0 9**

An electron collides with an isolated atom and raises an orbiting electron to a higher energy level.

Which statement is correct?

**[1 mark]**

- A** The colliding electron is captured by the nucleus of the atom.
- B** A photon is emitted when the electron rises to the higher energy level.
- C** An electron is emitted when the excited electron returns to the ground state.
- D** Energy is transferred from the colliding electron to the orbiting electron.

**1 0**

Light of frequency  $2.0 \times 10^{15}$  Hz is incident on a metal surface. The work function of the metal is  $4.6 \times 10^{-19}$  J.

Which statement is correct?

**[1 mark]**

- A** No photoelectrons are released.
- B** Photoelectrons are released with a maximum kinetic energy of  $3.1 \times 10^{-19}$  J.
- C** Photoelectrons are released with a maximum kinetic energy of  $8.7 \times 10^{-19}$  J.
- D** Photoelectrons are released with a maximum kinetic energy of  $18 \times 10^{-19}$  J.

**1 1**

A photon of ultraviolet radiation has a frequency of  $1.5 \times 10^{15}$  Hz.

What is the momentum of the photon?

**[1 mark]**

- A**  $3.3 \times 10^{-41}$  kg m s<sup>-1</sup>
- B**  $1.3 \times 10^{-40}$  kg m s<sup>-1</sup>
- C**  $3.3 \times 10^{-27}$  kg m s<sup>-1</sup>
- D**  $1.3 \times 10^{-26}$  kg m s<sup>-1</sup>

**Turn over ►**

1 2

Which statement about a couple is **not** true?

[1 mark]

A It must consist of coplanar forces.

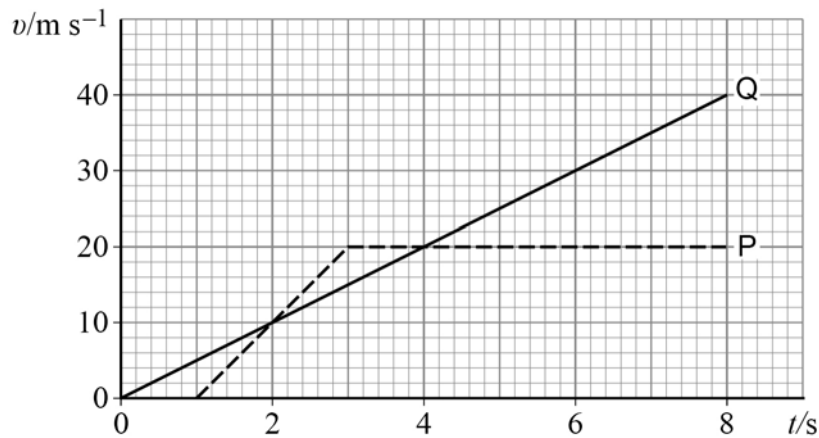
B It can produce rotational motion.

C It can produce translational motion.

D It has a moment with units N m.

1 3

Two cars **P** and **Q** leave from the same point and travel in the same direction. **Q** leaves at time  $t = 0$  and **P** leaves one second later. The figure shows the velocity–time graph for **P** and **Q**.

What is the distance between **Q** and **P** when  $t = 8$  s?

[1 mark]

A 40 m

B 80 m

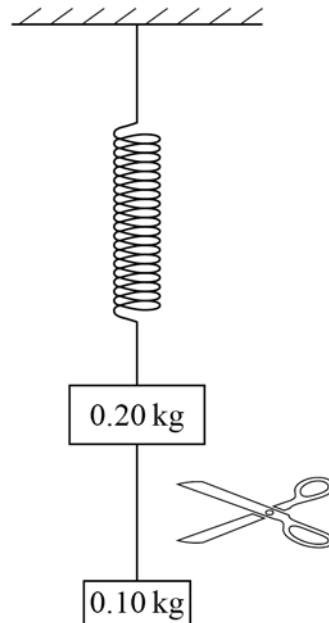
C 160 m

D 180 m



**1 4**

A 0.20 kg mass is suspended from a spring. A 0.10 kg mass is suspended from the 0.20 kg mass using a thread of negligible mass. The system is in equilibrium and the thread is then cut.



What is the upward acceleration of the 0.20 kg mass at the instant that the thread is cut?

**[1 mark]**

**A**  $3.3 \text{ m s}^{-2}$

**B**  $4.9 \text{ m s}^{-2}$

**C**  $6.5 \text{ m s}^{-2}$

**D**  $9.8 \text{ m s}^{-2}$

**1 5**

A lift of mass  $M$  is suspended from a cable. The lift descends with a downward acceleration,  $a$ . A frictional force  $F$  acts on the lift.

What is the tension  $T$  in the cable?

**[1 mark]**

**A**  $T = Ma + F$

**B**  $T = Ma - F$

**C**  $T = M(g + a) - F$

**D**  $T = M(g - a) - F$

**Turn over ►**

1 6

A body of constant mass falls freely due to gravity.

The rate of change of momentum of the body is equal to its

**[1 mark]**

**A** kinetic energy.

**B** mass.

**C** gravitational potential energy.

**D** weight.

1 7

An electric vehicle is driven by a motor which produces a constant driving force. The vehicle travels from rest along a straight horizontal road. Friction and air resistance are negligible.

Which statement describes the variation with time of the power developed by the motor?

**[1 mark]**

**A** It stays constant.

**B** It increases linearly from zero.

**C** It increases non-linearly from zero.

**D** It increases from zero to a maximum and then decreases.

1 8

Which is a correct statement about mechanical power?

**[1 mark]**

**A** It is a vector quantity.

**B** It is measured in J.

**C** In fundamental units, its unit is  $\text{kg m}^2 \text{s}^{-3}$

**D** It can be calculated from force  $\times$  distance moved.





**1 9**

A load of 50 N is suspended from a wire that has an area of cross-section of  $1 \text{ mm}^2$ .

The stress in the wire, in Pa, is between

**[1 mark]**

**A**  $10^0$  and  $10^3$

**B**  $10^3$  and  $10^6$

**C**  $10^6$  and  $10^9$

**D**  $10^9$  and  $10^{12}$

**2 0**

Which combination of properties would produce the **smallest** extension of a wire when the same tensile force is applied to the wire?

**[1 mark]**

	Cross-sectional area	Length	Young modulus of material
<b>A</b>	$X$	$3L$	$E$
<b>B</b>	$2X$	$L$	$E$
<b>C</b>	$X$	$3L$	$4E$
<b>D</b>	$2X$	$L$	$4E$

Turn over for the next question

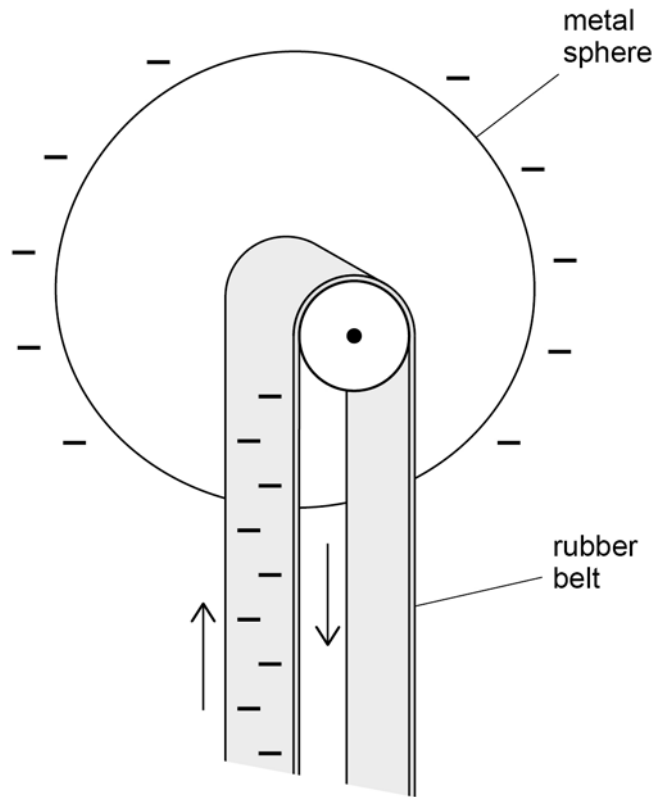
Turn over ►



2 1

A rubber belt in an electrostatic machine has a width of  $0.1 \text{ m}$  and moves with speed  $0.4 \text{ m s}^{-1}$ .

Each square metre of the belt carries a charge  $Q$  coulomb. The charge is removed and transferred to a metal sphere.



What is the charge collected by the sphere each second?

[1 mark]

**A**  $0.016Q$

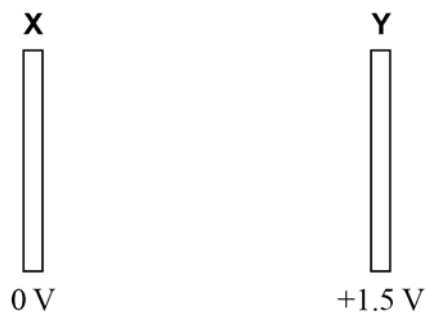
**B**  $0.04Q$

**C**  $0.25Q$

**D**  $4Q$



**2 2** Charged plates **X** and **Y** have a potential difference 1.5 V between them.



Which particle gains 3.0 eV of kinetic energy when moving from **Y** to **X**?

**[1 mark]**

- A proton
- B positron
- C electron
- D alpha particle





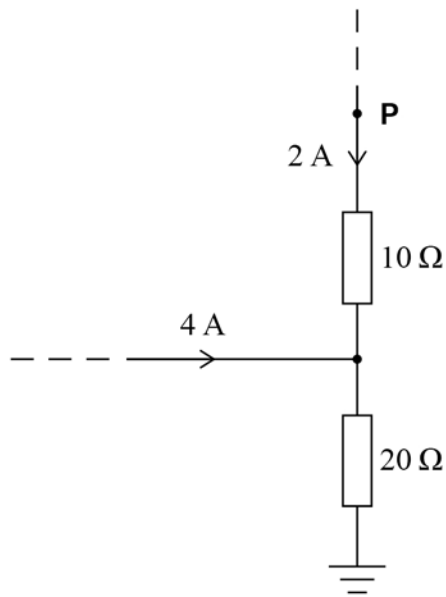
**Turn over for the next question**

**Turn over ►**



**2 3**

The diagram shows part of a circuit and the currents in the circuit.



What is the potential difference between point **P** and earth?

**[1 mark]****A** 60 V**B** 100 V**C** 120 V**D** 140 V**2 4**

A voltmeter has a resistance of  $4.0 \text{ k}\Omega$  and reads  $1.0 \text{ V}$  for every scale division on the meter.

A power supply of emf  $20 \text{ V}$  and negligible internal resistance is connected across this voltmeter and a resistor in series. The voltmeter reads two divisions.

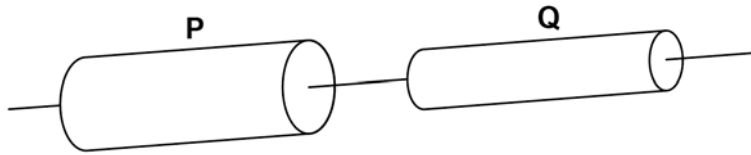
What is the value of the resistor?

**[1 mark]****A**  $44 \text{ k}\Omega$ **B**  $36 \text{ k}\Omega$ **C**  $4.4 \text{ k}\Omega$ **D**  $3.6 \text{ k}\Omega$ 

**2 5**

Two cylindrical wires **P** and **Q** are of equal length and made of the same material. The diameter of **P** is greater than that of **Q**.

**P** and **Q** are connected in series and the ends of this arrangement are connected to a power supply.



Which two quantities are the same for **P** and **Q**?

**[1 mark]**

<b>A</b>	potential difference across wire	resistivity	<input type="checkbox"/>
<b>B</b>	resistivity	current	<input type="checkbox"/>
<b>C</b>	current	resistance	<input type="checkbox"/>
<b>D</b>	resistance	potential difference across wire	<input type="checkbox"/>

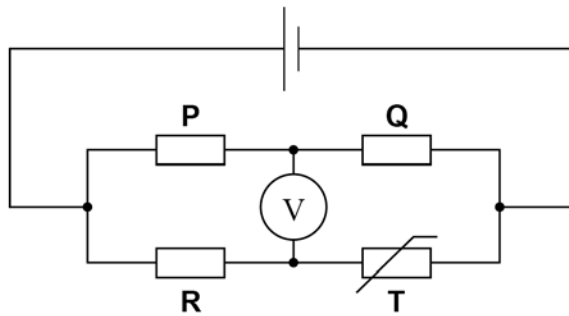
**Turn over for the next question**

**Turn over ►**



**2 6**

In the circuit below, the initial voltmeter reading is zero.



The temperature of the negative temperature coefficient thermistor **T** is then increased.

Which change to the circuit could restore the voltmeter reading to zero?

**[1 mark]**

**A** Decreasing the resistance of **R**.

**B** Increasing the resistance of **R**.

**C** Decreasing the resistance of **P**.

**D** Increasing the resistance of **Q**.

**2 7**

An electric motor lifts a load of weight  $W$  through a vertical height  $h$  in time  $t$ . The potential difference across the motor is  $V$  and the current through it is  $I$ .

What is the efficiency of the motor?

**[1 mark]**

**A**  $\frac{Wh}{VI}$

**B**  $\frac{VI}{Wh}$

**C**  $\frac{Wh}{VIt}$

**D**  $\frac{VIt}{Wh}$



**2 8**

An object of mass  $m$  moves in a circle of radius  $r$ . It completes  $n$  revolutions every second.

What is the kinetic energy of the object?

**[1 mark]**

**A**  $\frac{mn^2r^2}{8\pi^2}$

**B**  $\frac{mn^2r^2}{4\pi^2}$

**C**  $2m\pi^2n^2r^2$

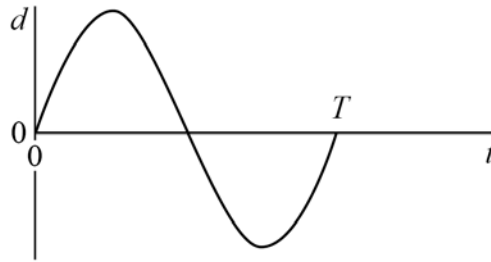
**D**  $4m\pi^2n^2r^2$

Turn over for the next question

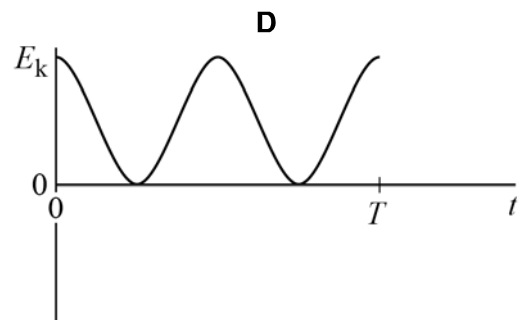
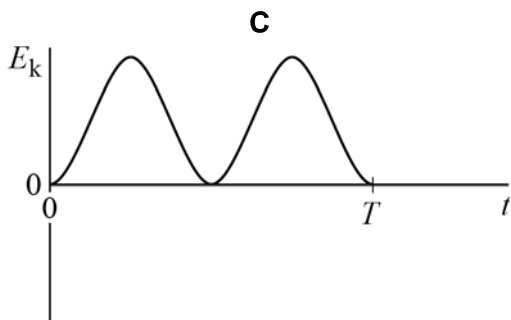
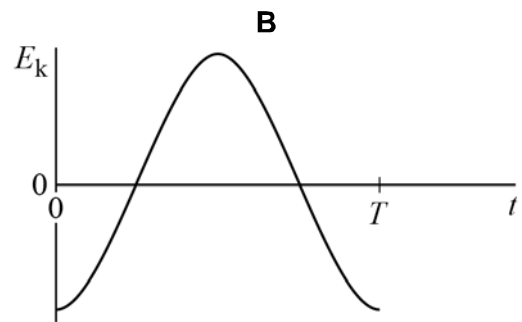
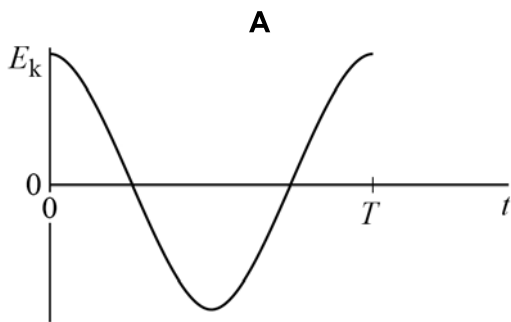
**Turn over ►**

**2 9**

The graph shows the variation of displacement  $d$  with time  $t$  for a particle moving with simple harmonic motion of period  $T$ .



Which graph shows the variation of kinetic energy  $E_k$  of the particle with time?

**[1 mark]**

**A**

**B**

**C**

**D**





**3 0**

Two pendulums **A** and **B** oscillate with simple harmonic motion. The time period of **A** is 2.00 s and the time period of **B** is 1.98 s.

**A** and **B** are released in phase.

What is the number of oscillations of **A** before **A** and **B** are next in phase?

**[1 mark]****A** 49**B** 50**C** 99**D** 100**3 1**

The frequency of oscillation of a vertical spring is  $f$  when the mass hanging from the spring is  $m$ .

What is the relationship between  $f$  and  $m$ ?

**[1 mark]****A**  $f \propto m^{-\frac{1}{2}}$ **B**  $f \propto m^{-2}$ **C**  $f \propto m^{\frac{1}{2}}$ **D**  $f \propto m^2$ 

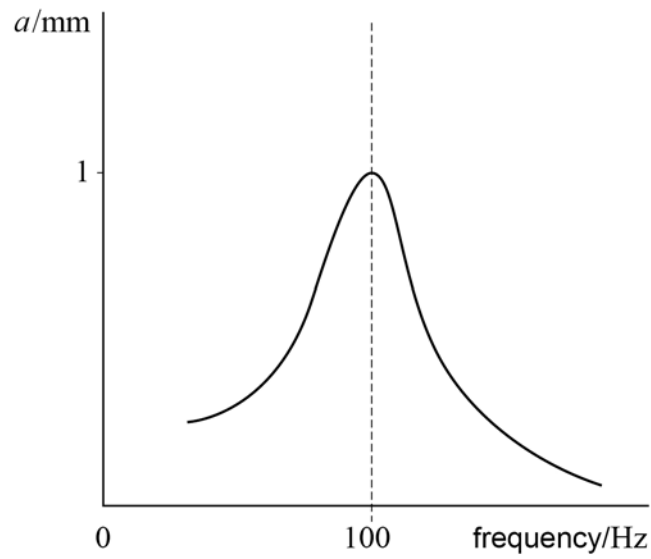
**Turn over for the next question**

**Turn over ►**



**3 2**

A metal panel is driven to vibrate at different frequencies. The amplitude  $a$  of the vibration is measured at each frequency. The graph shows the variation of amplitude with driven frequency.

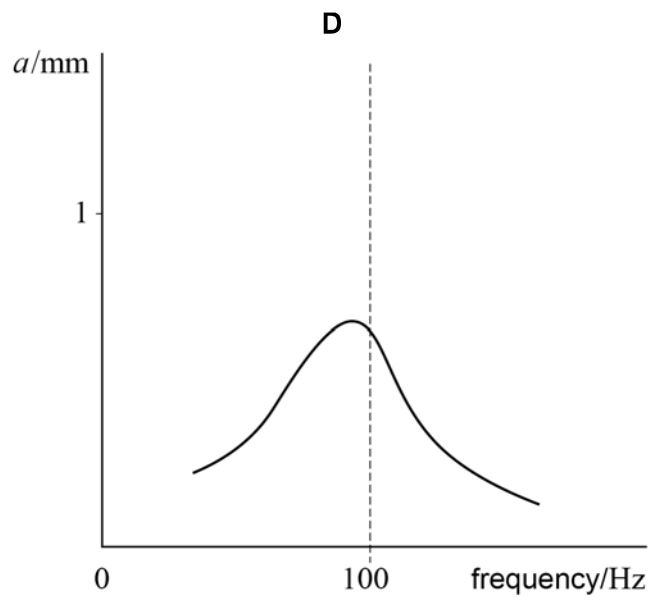
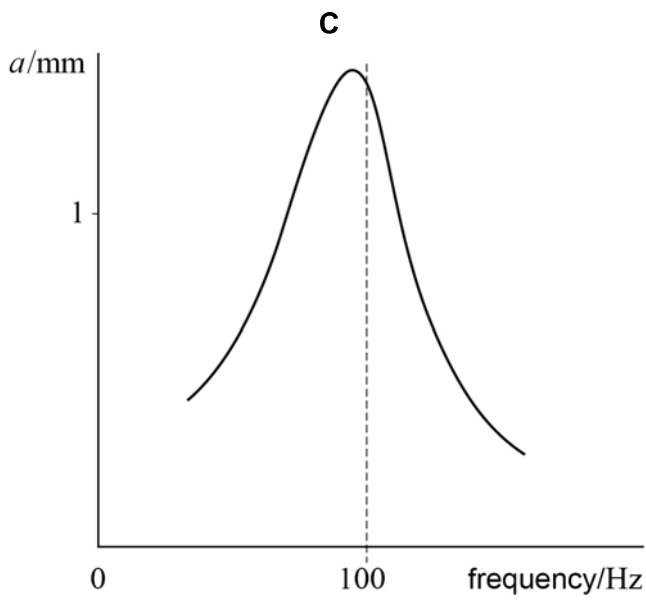
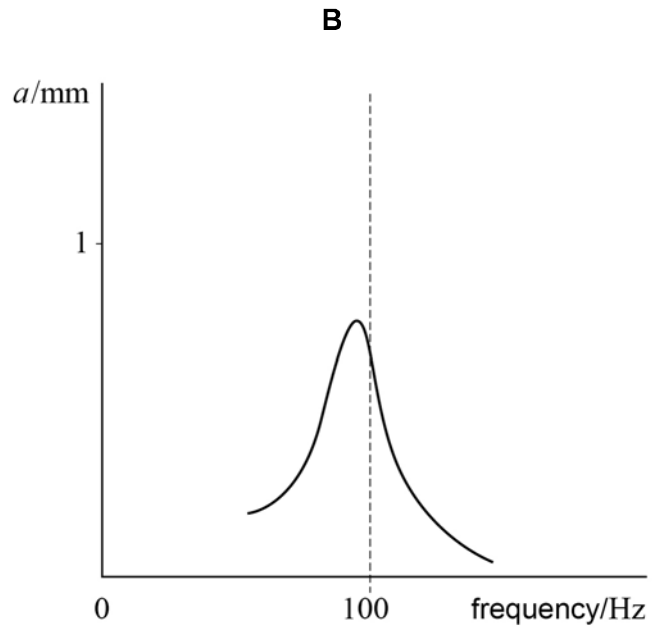
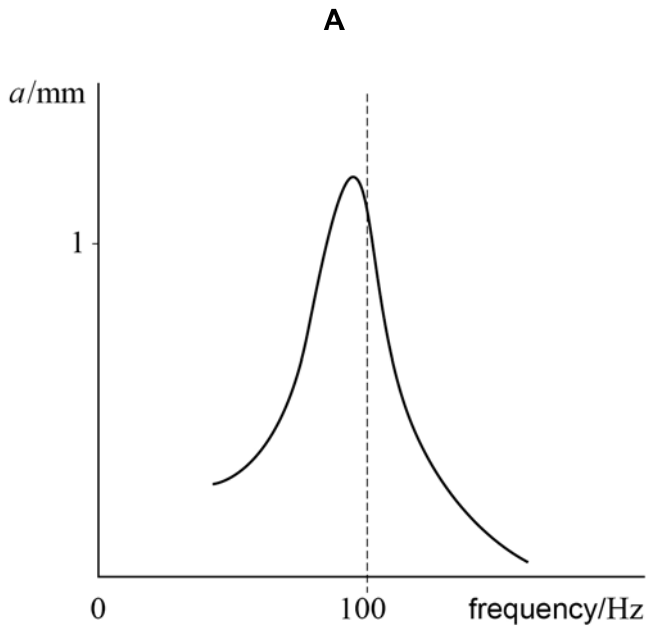


The damping of the metal panel is increased without changing the mass of the panel.

Which graph on the opposite page shows the variation of  $a$  with frequency with increased damping?

**[1 mark]**





- A**
- B**
- C**
- D**

**END OF QUESTIONS**



**There are no questions printed on this page**

*Do not write  
outside the  
box*

**DO NOT WRITE ON THIS PAGE  
ANSWER IN THE SPACES PROVIDED**









