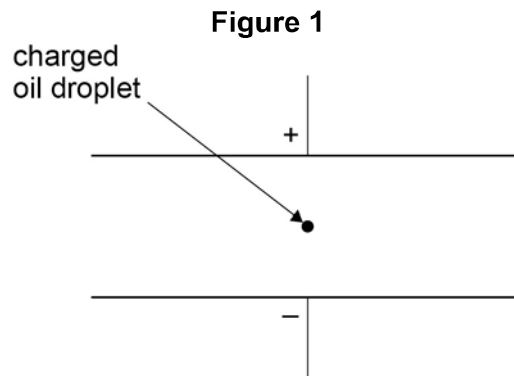


Section B

Answer **all** questions in this section.

0	1
---	---

In an experiment to measure the charge of the electron, a spherical charged oil droplet of unknown mass is observed between two horizontal parallel metal plates, as shown in **Figure 1**.



0	1
---	---

1

The droplet falls vertically at its terminal speed when the potential difference (pd) between the plates is zero.

A droplet of radius r falls at its terminal velocity, v .

Derive an expression for r in terms of v , η , ρ and g , where η is the viscosity of air and ρ is the density of the oil droplet.

[2 marks]

0	1
---	---

2

Explain how the mass of the oil droplet can be calculated from its radius and other relevant data.

[1 mark]

0 1 . 3

A potential difference (pd) is applied across the plates and is adjusted until the droplet is held stationary. The two horizontal parallel metal plates are 15.0 mm apart. The mass of the droplet is 3.4×10^{-15} kg.

The droplet is held stationary when the pd across the plates is 1560 V.

Calculate the charge of the oil droplet.

[2 marks]

charge = _____ C

0 1 . 4

A student carries out Millikan's oil drop experiment and obtains the following results for the charges on the oil drops that were investigated.

$-9.6 \times 10^{-19} \text{ C}$

$-12.8 \times 10^{-19} \text{ C}$

$-6.4 \times 10^{-19} \text{ C}$

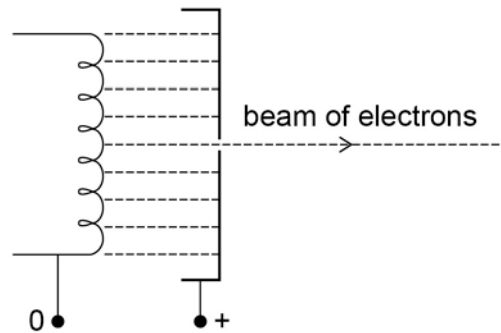
Discuss the extent to which the student's results support Millikan's conclusion and how the student's conclusion should be different.

[3 marks]

0 2

Figure 2 shows a narrow beam of electrons produced by attracting the electrons emitted from a filament wire, to a positively charged metal plate which has a small hole in it.

Figure 2



0 2

. 1

Explain why an electric current through the filament wire causes the wire to emit electrons.

[2 marks]

0 2

. 2

Explain why the filament wire and the metal plates must be in an evacuated tube.

[1 mark]

0 2 . **3** The potential difference between the filament wire and the metal plate is 4800 V.

Calculate the de Broglie wavelength of the electrons in the beam.

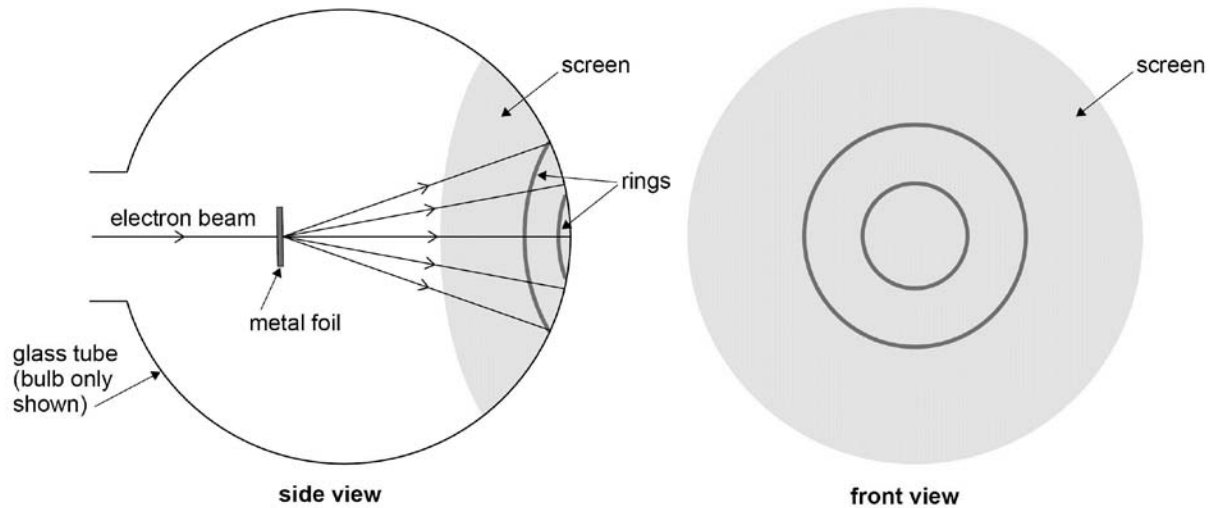
[4 marks]

wavelength = _____ m

Question 2 continues on the next page

The beam is directed at a thin metal foil between the metal plate and a fluorescent screen at the end of the tube, as shown in **Figure 3**. The electrons that pass through the metal foil cause a pattern of concentric rings on the screen.

Figure 3



0 2 . 4

The potential difference between the filament and the metal plate is increased. State and explain the effect this has on the diameter of the rings. **[3 marks]**

0 3

Maxwell's theory suggested the existence of electromagnetic waves that travel at a speed of $\sqrt{\frac{1}{\epsilon_0\mu_0}}$.

Hertz later discovered radio waves and performed experiments to investigate their properties.

Figure 4 shows a radio wave transmitter and a detector. The wave is transmitted by a dipole aerial. The detector consists of a metal loop connected to a meter.

Figure 4



0 3 . 1

Explain how the detection of the wave by the loop demonstrates the magnetic nature of the radio waves.

[2 marks]

0 3 . 2

Explain how the electric nature of the waves emitted by the dipole could be demonstrated.

[1 mark]

0 4

One of the two postulates of Einstein's theory of special relativity is that the speed of light in free space is invariant.

0 4 . 1

Explain what is meant by this postulate.

[1 mark]

0 4 . 2

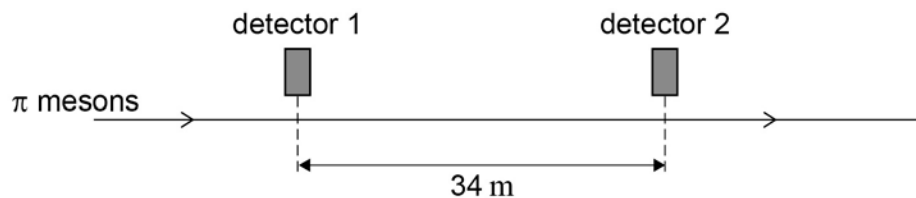
State the other postulate.

[1 mark]

0 4 . 3

Two detectors are measured to be 34 m apart by an observer in a stationary frame of reference. A beam of π mesons travel in a straight line at a speed of $0.95c$ past the two detectors, as shown in **Figure 5**.

Figure 5



Calculate the time taken, in the frame of reference of the observer, for a π meson to travel between the two detectors.

[1 mark]

time = _____

0	4	.	4
---	---	---	---

π mesons are unstable and decay with a half-life of 18 ns.

It is found in experiments that approximately 75% of the π mesons that pass the first detector decay before reaching the second detector.

Show how this provides evidence to support the theory of special relativity. In your answer compare the percentage expected by the laboratory observer with and without application of the theory of special relativity.

[5 marks]

END OF QUESTIONS